

## COMPONENTS OF PEDESTAL BASE VAULTING TABLE



- Components of pedestal vaulting table **Ref. 3416** and **Ref. 3404**:

① Vaulting table body only - **Ref. 3454**

② Complete vaulting table pedestal guard - **Ref. 3402**

③ — Complete vaulting table pedestal base - **Ref. 3401**  
— Pedestal base only for pit-edge vaulting table - **Ref. 3403**

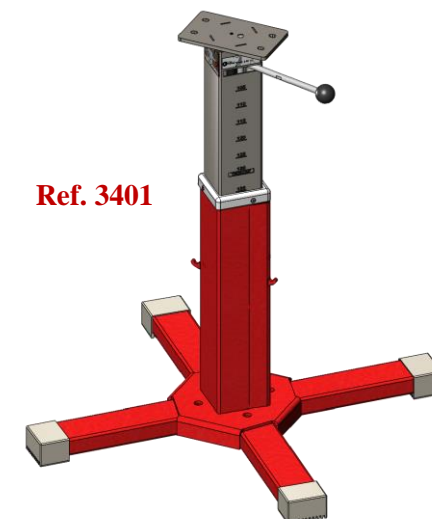
## REFERENCES AVAILABLE:

### Ref. 3401: COMPLETE VAULTING TABLE PEDESTAL BASE - WITHOUT GUARD

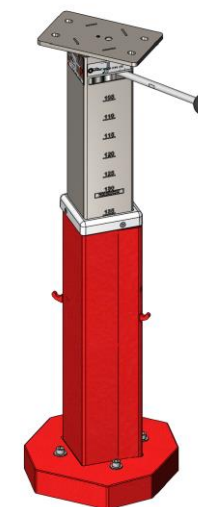
- ❑ Floor-mounted pedestal base for competition vaulting table Ref. 3404.
- ❑ Height adjustment between 1 and 1.35 m with locking notches at 5 cm intervals.
- ❑ Lever and locking device for height adjustment.
- ❑ Supplied with fixing system to floor (without anchor points).

### Ref. 3403: PEDESTAL BASE ONLY FOR PIT-EDGE VAULTING TABLE

- ❑ Floor-mounted pedestal base for pit-edge vaulting table Ref. 3416.
- ❑ Ideal for pit landings.
- ❑ New adjustment system makes it easy to adjust height with one operation without bending down between 1 and 1.35 m with locking notches at 5 cm intervals.
- ❑ Lever and locking device for height adjustment.
- ❑ Supplied with fixing system to floor (without anchor points)



Ref. 3401



Ref. 3403

**Ref. 3402:** COMPLETE VAULTING TABLE PEDESTAL GUARD

- ❑ User safety is ensured thanks to the pre-formed foam guard covering the whole vertical column
- ❑ (A) 1 upper polyurethane foam protective pad; thickness =15 mm, density = 35 kg  
Attached by means of hook and loop and zipper
- ❑ (B) 2 lower polyurethane foam protective pads; density = 19 Kg  
Attached by means of zipper
- ❑ Height adjustable without removing the protection

**Ref. 3402****Ref. 3454:** VAULTING TABLE BODY ONLY

- ❑ Two-tone dynamic body with a soft front section for shock absorption and a non-slip top covering the hand placement area
- ❑ Using a complex of dynamic foam and springs, this body gives gymnasts a fast, dynamic response
- ❑ It is very comfortable to use
- ❑ Reduces gymnasts' fear thanks to its reassuring shape and its comfort layer positioned over the whole hand placement area to soften impacts
- ❑ Compatible with the various types of GYMNOVA vaulting table legs (for pedestal base and standard legs).
- ❑ With interface plate

**Ref. 3454**