

GYMNOVACS 30056 - 45 RUE G. DE FLOTTE
13375 MARSEILLE CEDEX 12 (FRANCE)
TEL : 33.(0)4.91.87.51.20 FAX : 33.(0)4.91.93.86.89
WWW.GYMNOVA.COM**ASSEMBLY INSTRUCTIONS**

NM254F-GB

11/01/21

**14x14M & 13x13M OVERLAY CARPETS
AND ARTISTIC GYMNASTICS EXERCISE FLOORS****6380H**
6570J-6775D-6775D/DE
6390I
6565K-6777D-6777D/DE**6570J &
6775D - 6775D/DE****KEEP THIS
DOCUMENT****Warning:**

This equipment should be installed by a qualified individual. This equipment should only be used by one person at a time, under the supervision of a qualified individual.
Using this equipment for purposes other than those originally intended is prohibited.

Compliance:

14 x 14 m Exercise floors references **6570J, 6775D et 6775D/DE** are FIG approved.

Recommendations:

- Keep these instructions for subsequent reference (inspection, maintenance, etc.).
- Periodically carry out predictive maintenance.
- Depending on how much it is used have the equipment serviced yearly or every few years.

Pack list:

PACK REF.	6380/141 Carpet left side width No. 1 14 x 4m	6380/142 Carpet central width No. 2 14 x 3m	6380/143 Carpet central width No. 3 14 x 3m	6380/144 Carpet right side width No. 4 14 x 4m	6380/108 Set of 3 hook-and- loop joining strips 14m	6532B Carpet Anti-Rotation Kit	No. of Packages
6380H Overlay carpet 14 x 14m	1	1	1	1	1	1	6
VOLUME (M³)	0,62	0,48	0,48	0,62	0,02	0,01	X
WEIGHT (KG)	99	75	75	99	2	1,55	
DIM. (MM)	4300x380x380	3350x380x380	3350x380x380	4300x380x380	370x270x200	300x200x170	

PACK REF.	6390/141 Carpet left side width No. 1 13.05 x 3.52m	6390/142 Carpet central width No. 2 13.05 x 3m	6390/143 Carpet central width No. 3 13.05 x 3m	6390/144 Carpet right side width No. 4 13.05 x 3.52m	6380/108 Set of 3 hook-and- loop joining strips 14m	6532B Carpet Anti-Rotation Kit	No. of Packages
6390I Overlay carpet 13 x 13m	1	1	1	1	1	1	6
VOLUME (M³)	0,55	0,48	0,48	0,55	0,02	0,01	X
WEIGHT (KG)	82	72	72	82	2	1,55	
DIM. (MM)	3800x380x380	3300x380x380	3300x380x380	3800x380x380	370x270x200	300x200x170	

Constantly aiming to improve our products, we reserve the right to make changes to the equipment and dimensions without further discussion.

I. Assembling the floor and the Anti-Rotation Kit:

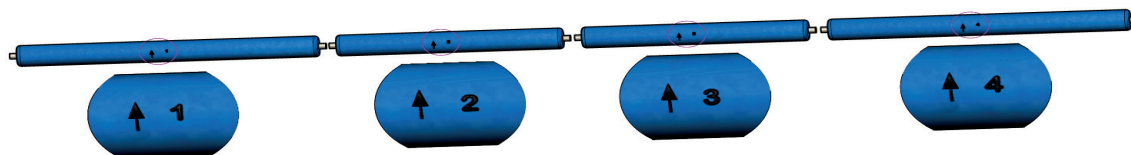
Refer to assembly instructions NM06 + NM206 for Refs: 6580B & 6595B, NM273 + NM277 for Refs: 6785A & 6787A or NM274 + NM277 for Refs: 6781A & 6783A.

II. Assembling the impact-absorbing foam area and the finishing bibs of springs floors:

Refer to assembly instructions NM253 for Refs: 6542A & 6572A, or NM299 for Refs: 6788B & 6784B.

III. Assembling the overlay carpet: minimum.

Note: Keep the 4 cardboard core tubes flat for any future storage or moving of the carpet (without a reel trolley).



Important: In order to achieve an identical colour shade between the 4 widths (the same pile direction), simply place the 4 rolls side by side observing the order of the numbers and the direction of the arrows (marked on the packaging), as shown in the diagram above.

1/ UNROLL THE 4 WIDTHS OF CARPET RIGHT SIDE UP OVER THE FOAM: IN THE DIRECTION OF THE BLACK STRIP ON THE FOAM TRACKS (SEE FIG. 1, 2 & 3 OR 4, 5 & 6), PLACING THE 2 WIDER ONES TOWARDS THE OUTSIDE. **START BY PLACING ONE OF THE 2 LARGE ROLLS (1, 1' OR 4, 4')** ON ONE SIDE OF THE FOAM (LARGE RED EDGE TOWARDS THE OUTSIDE):

- 14 x 14 m Exercise floors (Ref.: 6570J, 6775D & 6775D/DE): the 4 m wide side widths (1) and (4) (see Fig. 1 to 3).
- 13 x 13 m Exercise floors (Ref.: 6565K, 6777D & 6777D/DE): the 3.52 m wide side widths (1') and (4') (see Fig. 4 to 6).

2/ REPEAT THIS STEP FOR THE SECOND LARGE ROLL, THEN UNROLL THE CENTRAL WIDTHS (2) AND (3) OR (2') AND (3') IN THE MIDDLE BETWEEN THE OTHER TWO.

3/ POSITION THE FIRST SIDE WIDTH RELATIVE TO THE FOAM AREA, ALIGNING IT WITH THE INITIAL MARKING (14 x 14 m OR 13 x 13 m):

- 14 x 14 m Exercise floor with foam blocks (Ref.: 6570J): the complete carpet overlaps by 25 cm all around the foam (see Fig. 1 & 2).
- 13 x 13 m Exercise floor with foam blocks (Ref.: 6565K): the complete carpet overlaps by 20 cm all around the foam (see Fig. 4 & 5).
- 14 x 14m & 13x13m Sprung Exercise floors (Ref.: 6775D, 6777D, 6775D/DE & 6777D/DE) : the complete carpet does not overlap the foam (see Fig. 1 & 3 for 14 x 14 m exercise floor, Fig 4 & 6 for 13 x 13 m exercise floor).

4/ ADJUST THE 4 WIDTHS SIDE BY SIDE TO FIT PERFECTLY TOGETHER. IN ORDER TO MOVE A WIDTH, ALL THAT'S REQUIRED IS TO HAVE ONE PERSON AT EACH END OF THE WIDTH AND TO LIFT IT ALTERNATELY IN ORDER TO FORCE AIR IN WAVES UNDER THE WIDTH. READJUST ITS POSITION BY PULLING IN THE DESIRED DIRECTION.

Direction of the foam tracks (in green) / Direction of carpet widths (in red)

Figure 1 - 14 x 14m Complete carpet (Ref.: 6380H)

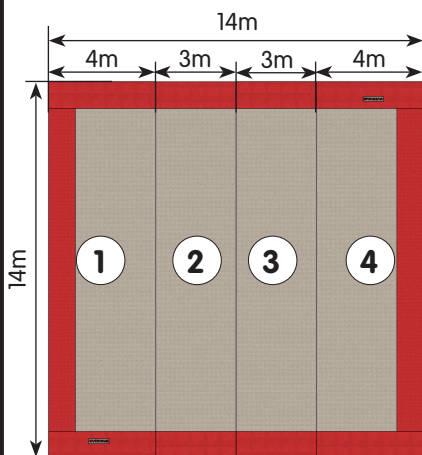


Figure 2 - 13,50 x 13,50m th. 4cm Complete foam "concertina" tracks Ex. Floor with foam blocks (Ref.: 6542A)

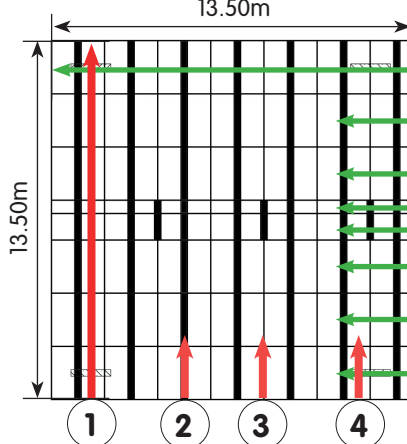


Figure 3 - 14 x 14m th. 5.6cm Complete foam "concertina" tracks Sprung Ex. Floor (Ref.: 6788B)

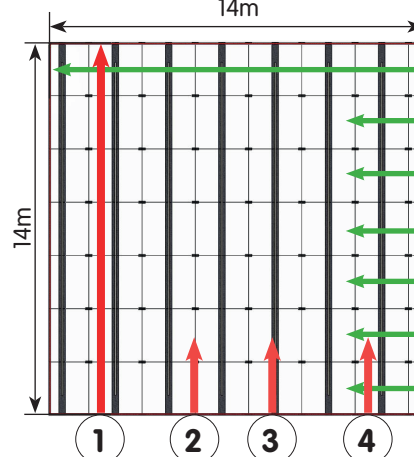


Figure 4 - 13.05 x 13.05m Complete carpet (Ref.: 6390I)

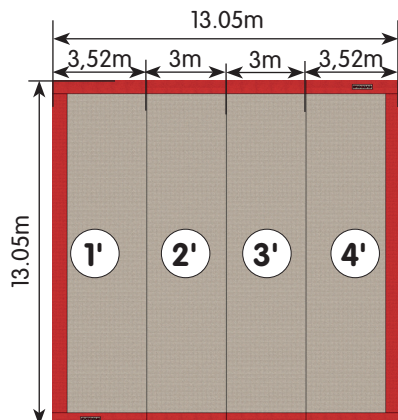


Figure 5 - 12,60 x 12,60m th. 4cm Complete foam "concertina" tracks Ex. Floor with foam blocks (Ref.: 6572A)

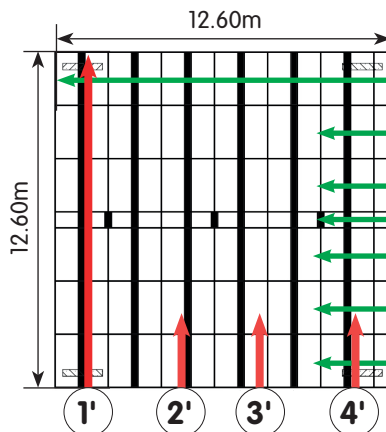
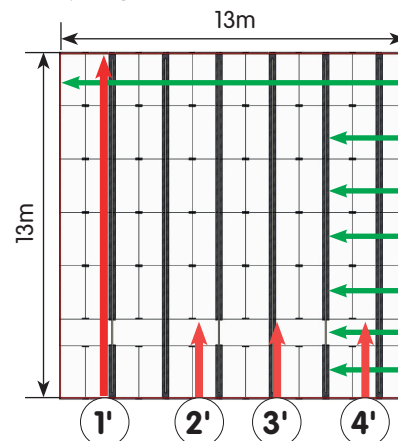


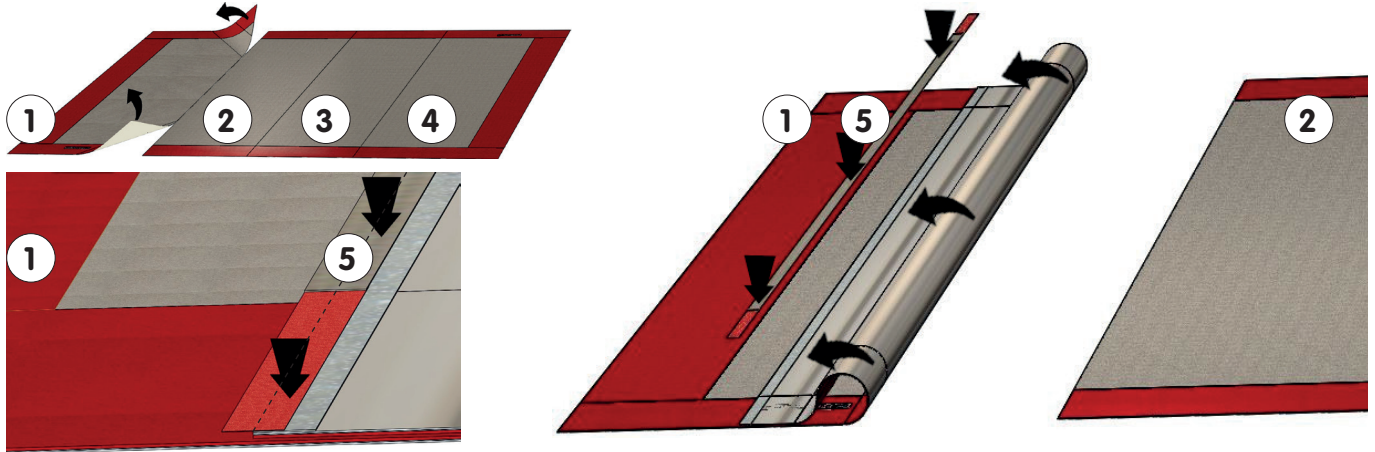
Figure 6 - 13 x 13m th. 5.6cm Complete foam "concertina" tracks Sprung Ex. Floor (Ref.: 6784B)



5/ ⚠ WARNING: TO PREVENT CREASES FORMING, LEAVE TO REST FOR AT LEAST 24 H AT USAGE TEMPERATURE (IF CREASES NEVERTHELESS APPEAR, REFER TO § V). ASSEMBLE THE 4 WIDTHS TOGETHER (SAME METHOD FOR BOTH CARPETS):

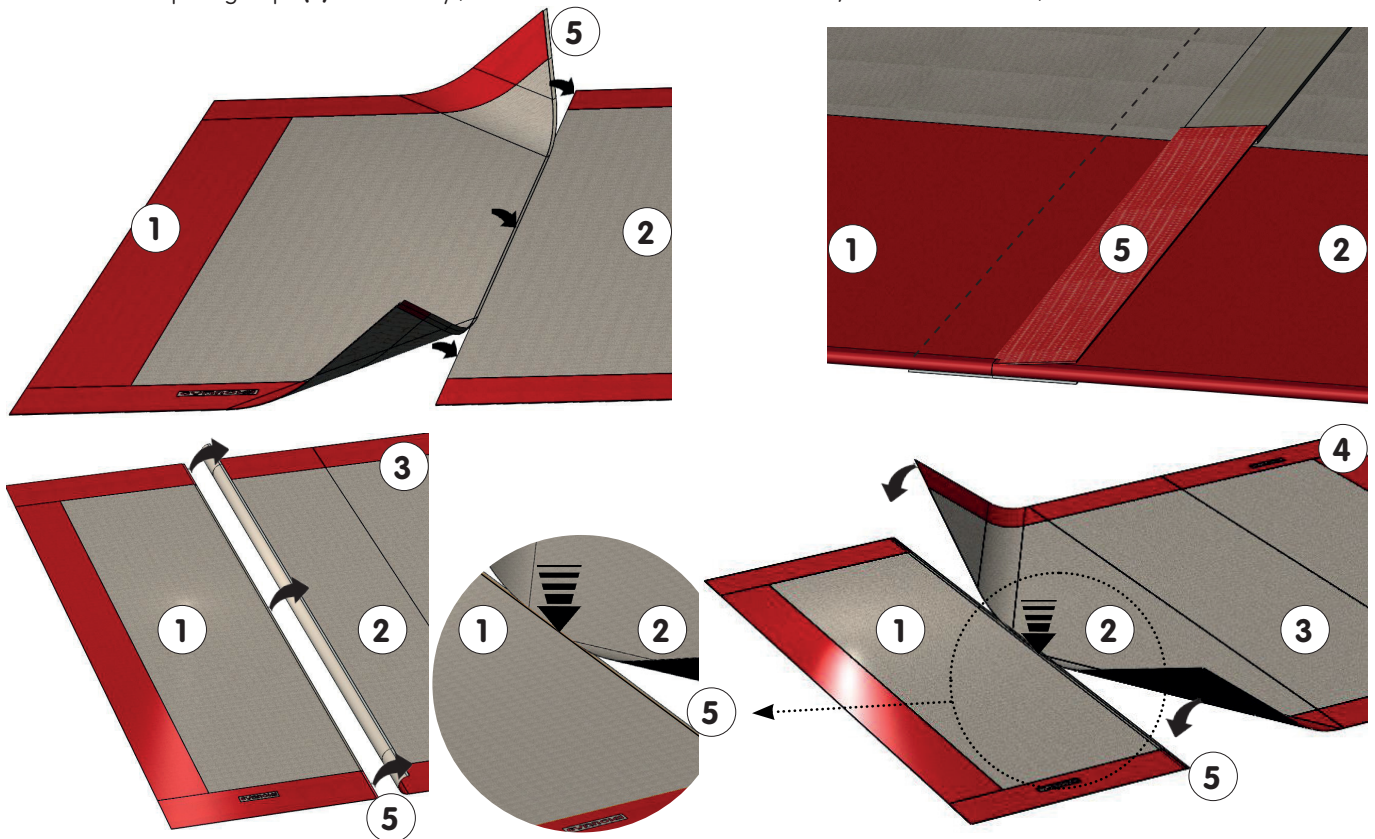
Figures 7 - 8 - 9 - Installation of a hook-and-loop joining strip on a carpet width

- Lift each end of a side width (1) finishing with the middle to expose the joining area.
- Unroll a hook-and-loop joining strip (5) (beige & red), without tension, overlapping by 5 cm over the edge of the side width (1).



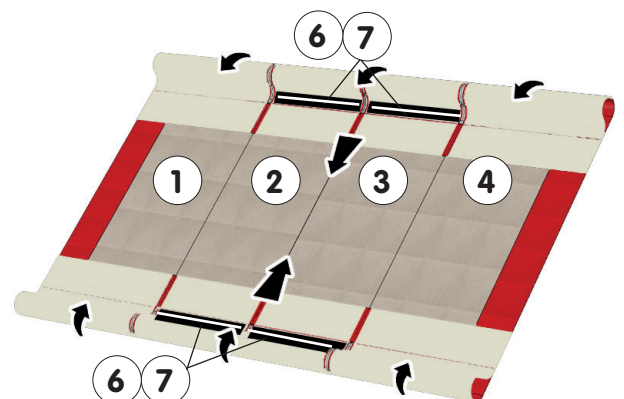
Figures 10 - 11 - 12 - 13 & detail - Finishing the connection of 2 carpet widths

- Fold the side strip (1) with the connecting strip (5) from the middle to the ends.
- Remove the edge of the central width (2) taken below the joining strip (5), lifting the ends until the middle is released.
- Gently rest the middle of the central width (2) identical to the side width, ending with the ends.
- Renew the operation for the remaining widths (3) et (4).
- Cross-check joining strips (5) if necessary (13 x 13m Exercise floors - Refs : 6565K, 6777D & 6777D/DE).



6/ INSTALLATION OF THE CARPET ANTI-ROTATION KIT (8) UNDER THE ENDS OF THE CENTRAL WIDTHS (2) AND (3) (SEE FIG. 14 OPPOSITE).

- Fold back each end of the carpet to expose the black strips (7) underneath the central widths.
- If they are in poor condition, replace them with the ones provided.
- Attach a 2.50 m beige adhesive hook-and-loop strip (6) centred on the width of each black strip (7).
- Remove the protective film from the self-adhesive surface of the hook-and-loop strip (6) and apply the ends of the carpet onto the foam. Press firmly.



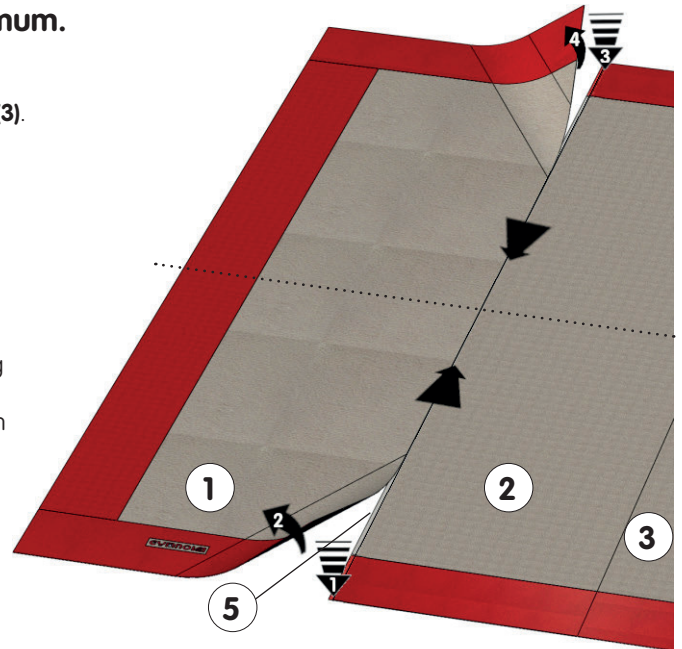
IV. Disassembly and storage of carpet: minimum.

1 / DISASSEMBLY (SEPARATING THE 4 WIDTHS):

- Start by connecting a side width (1) and the central width (2).
- Proceed in the same way for the side width (4) and central width (3).
- Repeat the process between the 2 central widths (2) and (3).

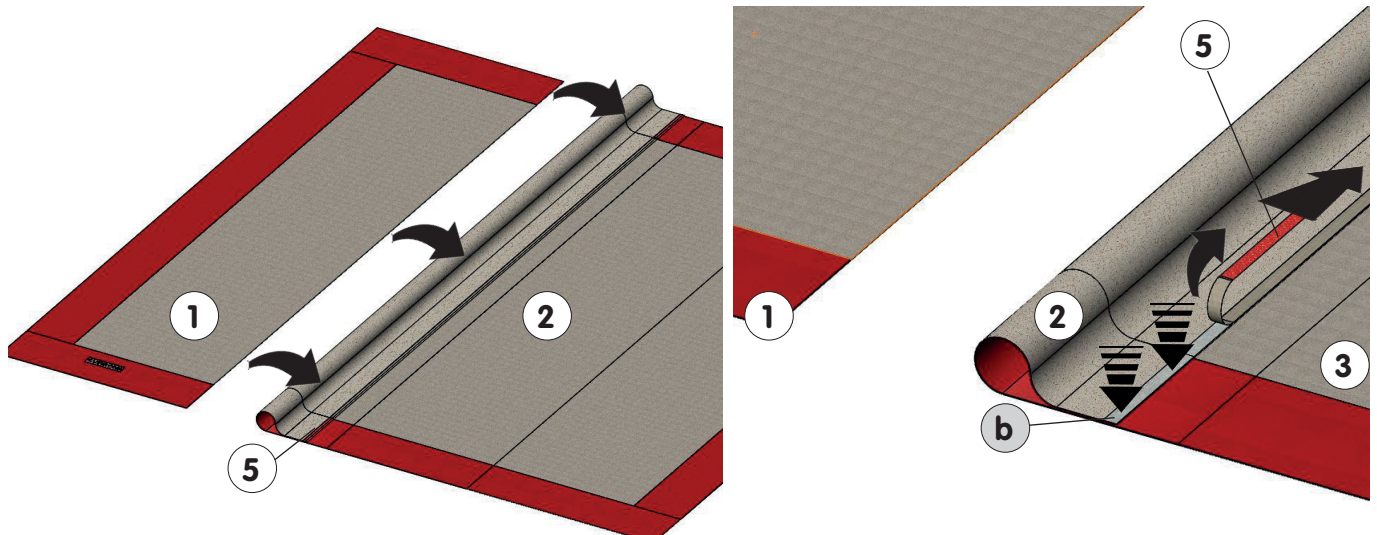
Figure 15 - Separation of 2 widths

- Position yourself at a joint between 2 widths and carefully lift the corner of a side width (1), while holding the corner of the corresponding central width (2): stand on this width, then walking along the join.
- Work in this way up to halfway along the length of the carpet, then repeat this process from the other end: the first side width (1) is now free.



Figures 16 - 17 - Disassembly the joining strip

- Fold back the edge of the central width (2) to release the hook-and-loop joining strip (5).
- Gradually lift the joining strip (5) while keeping the carpet on the floor: standing on the edge of the central width (2), then walking along.



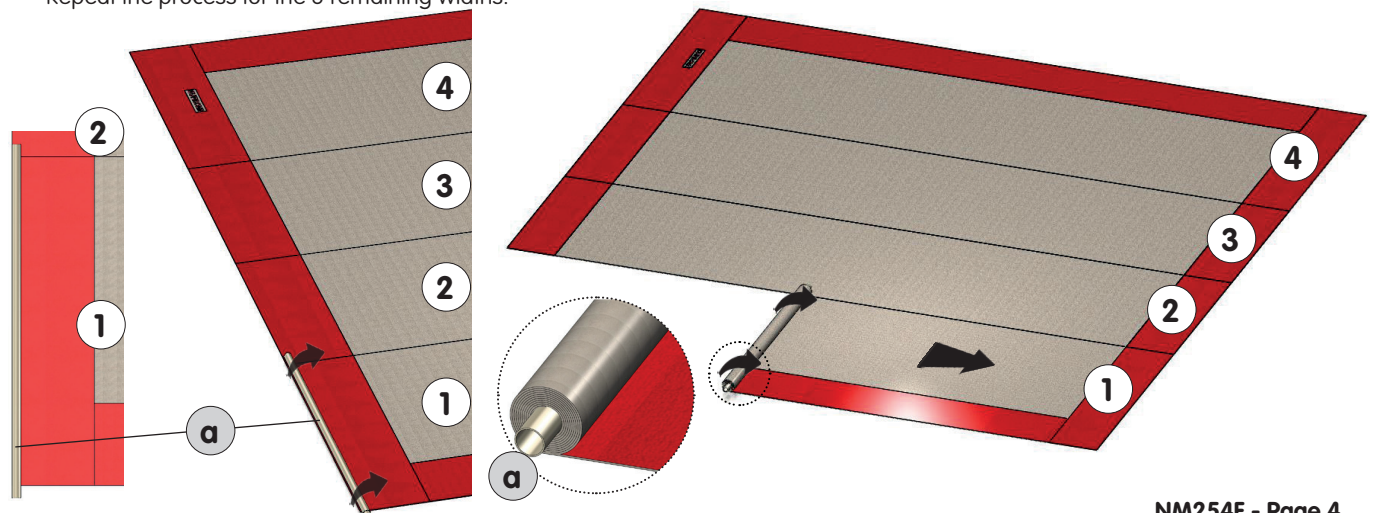
2/ ROLLING THE 4 WIDTHS BEFORE STORAGE:

 **IMPORTANT: THE CARDBOARD CORE TUBE USED MUST PROTRUDE BEYOND EACH END OF THE CARPET WIDTH.**

- Place the 4 widths as flat as possible to facilitate even rolling (do not form a "cone" shape) and to ensure the carpet is stored in good condition.

Figures 18 - 19 - Rolling method

- With 2 people (without a reel trolley), position the cardboard core tube (a) parallel at one end of the first side width (1).
- Roll up the carpet moving forward together at the same time in order to obtain an even cylinder. This will enable the carpet to be stored without damage.
- Repeat the process for the 3 remaining widths.




V. Maintenance:

- Regular cleaning of the exercise floor makes it easier to spot any problems (distortion, breakage or moisture absorption).
- Check the condition: of the different carpet widths **(1)**, **(2)**, **(3)** and **(4)** (red edges securely attached to the beige central section, 5cm white hook-and-loop strips **(b)** under the edges of the widths (see Fig 17), the 8 parts of the carpet Anti-Rotation Kit **(8)** and the hook-and-loop joining strip **(5)**.
- For any questions on cleaning the carpet, refer to the recommendations below.
- Check the condition of the "concertina" foam tracks (see NM253, NM299) and the hook-and-loop joining strips **(5)** and the floor (wood & foam blocks - see NM06 or wood & springs - see NM257, NM273 or NM274).
- Any damaged or distorted component should be replaced as quickly as possible.
- If creases appear: remove the joining strips(s) **(5)** from the corresponding width(s) following instructions § IV 1/, and flatten the surface with a cardboard tube **(a)** in the direction of the hair evenly. Allow the carpet to flatten completely, before reinstalling the links according to § III 5/.

VI. Maintenance recommendations:

Maintenance is an essential element in ensuring long life of the carpet. This document gives recommendations on maintenance, stain removal and cleaning for preservation of a high-quality appearance all through the equipment's life.

 **INADEQUATE CLEANING AND IN PARTICULAR USE OF INAPPROPRIATE STAIN REMOVERS OR DETERGENT SOLUTIONS CAN QUICKLY LEAD TO IRREPARABLE DILAPIDATION OF THE CARPET. IN SUCH SITUATIONS, GYMNOVA SHALL NOT ACCEPT ANY LIABILITY.**

Effective maintenance of the carpet MUST include 4 types of actions:

- Protection of accesses
- Dust removal
- Stain removal
- Periodic cleaning

1/ PROTECTION OF ACCESSES: SINCE THE MAIN CAUSE OF SOILING IS DUST AND DEBRIS FROM THE OUTSIDE, PREVENTIVE MEASURES CONSIST IN PROTECTING ALL ENTRANCES TO THE GYMNASIUM.

2/ DUST REMOVAL BY BRUSH-VACUUMING: REGULAR CLEANING WITH A BRUSH-VACUUM CLEANER IS THE PRIMARY MAINTENANCE MEASURE FOR THE CARPET. TO BE EFFECTIVE, IT IS ABSOLUTELY NECESSARY TO USE A VACUUM WITH A ROTATING BRUSH FOR OPTIMAL DUST REMOVAL BY MECHANICAL MEANS, WITHOUT HAVING TO PUSH DOWN WHEN USING THE VACUUM.

3/ STAIN REMOVAL: MUST BE PERFORMED DAILY. STAINS GET MUCH HARDER TO REMOVE WHEN THEY BECOME OLD. PROCEED AS FOLLOWS:

- Liquid stains: As quickly as possible, absorb any spilled liquid by dabbing with a clean, dry and absorbent white cotton cloth. **Do not rub the stain.**
- Solid stains: Remove as much as possible with a knife.
- All stain types:
 - Use the stain removal table below to identify the right stain removal product.
 - Before any cleaning, check that the stain removal agent is "compatible" with the carpet by testing it on an unexposed area.
 - Apply the stain removal product on a white cotton cloth (never directly on the carpet) and dab the stain firmly but without rubbing. Work on the stain from the outside towards the centre to prevent it spreading.
 - Continue to use the stain removal product as described above for as long as it takes for the stain to come out into the cloth.
 - For shampoo-based mixtures, the overturned glass method can be used effectively to massage the stain by making circles with the overturned glass and then collecting any resulting foam in the glass. Repeat the process without adding any product until no more foam is formed.
 - Once the stain is removed, rinse it with clean water by dabbing several times with a damp sponge. Dab with a dry cloth to absorb all the liquid. Warning: some cleaning solutions can give rise to rapid re-soiling if they are not completely removed.
 - Lastly, to absorb residual dampness, place a white, lint-free absorbent layer (cotton cloth or kitchen towel) about 1 cm thick under a heavy object protected with plastic film.
 - After removal of the object, vacuum-brush the area.

4/ PERIODIC CLEANING:

When these operations are properly carried out they can defer the need for more time-consuming operations such as « Major cleaning » or « Renovation ».

- Cleaning using absorbent powder:
 - Spray pre-stain removal solution over max. 10 m² sections at a time concentrating on dirty or stained areas.
 - Then spread the powder into a layer as thin as possible.
 - Use a broom or equivalent to push the powder into the carpet. Leave the product to work for 1 to 3 hours.
 - Remove the powder with a brush-vacuum, passing the vacuum over several times if necessary, without exerting any vertical pressure.
- Injection Extraction :

 **WARNING: THIS VERY COMPLEX METHOD IS A DEEP CLEANING METHOD FOR CLEANING THE FIBRES FROM TOP TO BOTTOM AND SHOULD ONLY BE CONSIDERED FOR EXTREME CASES OF SOILING. FIRSTLY, CAREFULLY REMOVE ALL DUST FROM THE AREA TO BE TREATED.**

The principle of this method is injection of a very dilute solution of detergent in warm or hot water in the case of very greasy soiling which will loosen the dirt. Immediately afterwards, a very powerful wet-suction system extracts the water together with the dirt.

It is important to take care when selecting the detergent solution. **The pH of these solutions MUST be less than 8.**

As a precaution, an anti-foaming agent should be added to the machine's extraction tank.

THESE STEPS SHOULD BE FOLLOWED:

- Proceed using parallel passes. Only use the detergent solution in sufficient quantities to ensure effective cleaning.
- Avoid excessive wetting. Clean in straight lines when possible and overlap each pass by one third of the width of the cleaning nozzle to prevent any residual machine marks.
- After each clean, immediately make a second pass over the same surface without detergent, but operating the vacuum.
- Extraction should be repeated on areas where visible dirt has not been removed by means of a single pass of the cleaning nozzle.
- Next, the same operations should be carried out with water instead of detergent so as to remove all traces of detergent from the carpet pile.
- If extraction has been correctly performed, the optimal drying time is around 6 to 12 hours. Avoid any foot traffic on the carpet during this period. This time period can be significantly reduced by using special blow dryers.

IMPORTANT GENERAL RECOMMENDATIONS:

The carpets are sensitive to chemicals: the fibres in the wear layer and the back of the carpet can be damaged by aggressive agents such as alkaline products (ammonia, etc.), bleaching agents, oxidizing agents (liquid bleach, hydrogen peroxide, etc.) and reducing agents.

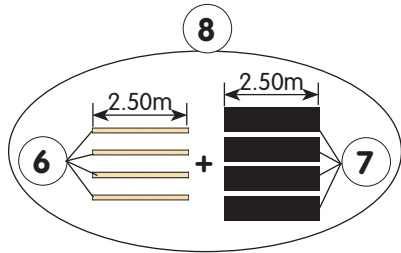
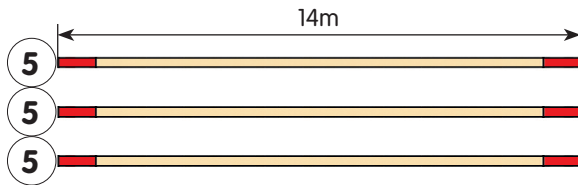
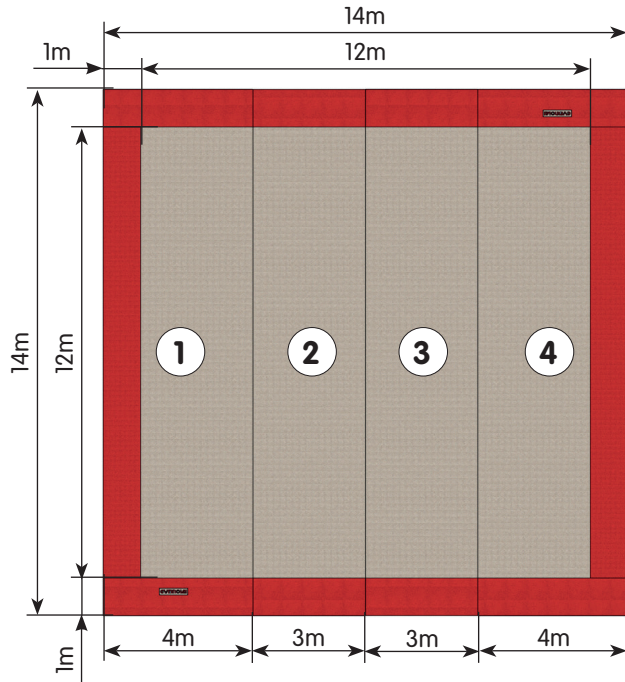
⚠️ AVOID SATURATING THE STAIN: PROLONGED OR REPEATED WETTING CAN CAUSE DISCOLOURATION, SOFTENING OR DETACHMENT OF THE BACK, SHRINKAGE, YELLOWING OF THE CARPET OR ENCOURAGE GROWTH OF MOULD AND BACTERIA.

STAIN REMOVAL TABLE*

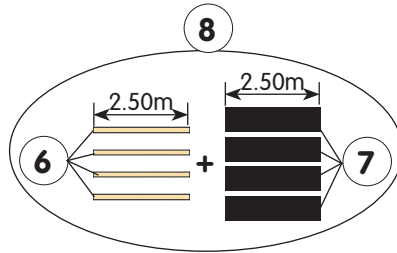
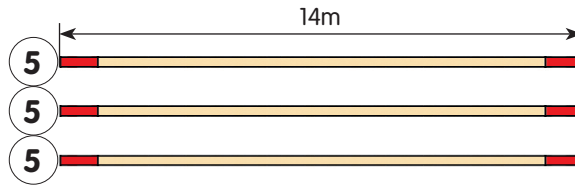
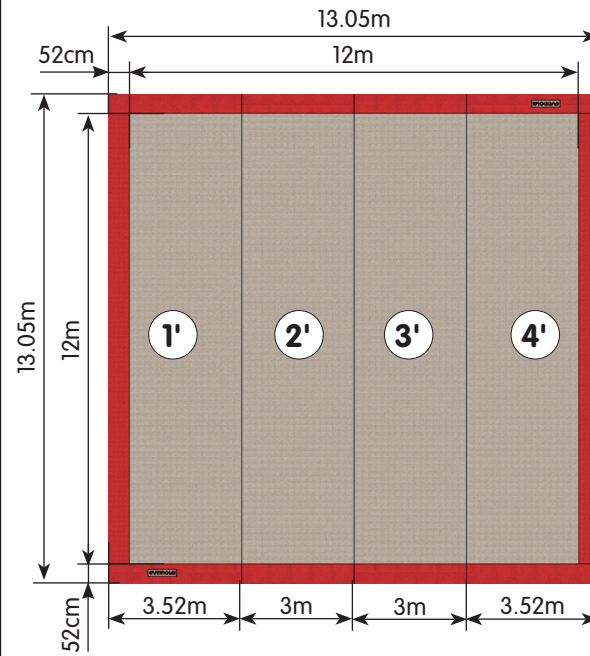
Type of stain	Actions
Butter, oil, fat, tar, grease, polish	<ul style="list-style-type: none"> - Start by removing as much as possible with a knife. - Dab with a cloth moistened with petroleum type solvent - Then apply an absorbent powder. - Rinse with clean water - Dry and vacuum.
Alcoholic beverages, coffee, tea, soda, fruit juice	<ul style="list-style-type: none"> - After removal of as much as possible with absorbent cloths, - Dab the stained areas (working from the outside towards the centre) with an equal parts solution of water and alcohol. - Then rinse with clean water.
Mud	<ul style="list-style-type: none"> - Leave the mud to dry, then brush. - If necessary, rub with a carpet shampoo solution. - Rinse with clean water.
Candle wax	<ul style="list-style-type: none"> - Remove as much candle wax as possible by lightly scraping. - Then place blotting paper on the stain and apply a warm iron without pressing down. - Repeat, moving the blotting paper, until the wax stain has melted and is mostly absorbed. - Finish by rubbing the stain with a cloth moistened with an alcohol cleaner.
Chewing-gum	<ul style="list-style-type: none"> - Harden the chewing gum with ice - Remove it using the back of a knife blade. - Then dilute what remains with acetone.
Milk, egg, yogurt, chocolate, grass, vomit	<ul style="list-style-type: none"> - Rub with a cloth moistened with hot water and biological washing powder. - Rinse with clean water.
Glue, varnish	<ul style="list-style-type: none"> - Remove as much of the glue or varnish as possible - Then dab with a cloth soaked in acetone.
Paint	<ul style="list-style-type: none"> - Scrape the paint with sandpaper - Then dab with a cloth moistened with acetone.
Lipstick	<ul style="list-style-type: none"> - Clean with a cloth moistened with makeup remover then with a carpet shampoo solution. - Rinse with clean water.
Rust	<ul style="list-style-type: none"> - Dab the stained area with a commercial rust remover. - Before applying, test on an inconspicuous corner of the carpet to make sure it does not cause any discolouration. - Leave to work. - Rinse with clean water.
Blood, milk, sweat, urine	<ul style="list-style-type: none"> - Ammonia solution (28%) or hydrogen peroxide solution (30%).
Nail varnish	<ul style="list-style-type: none"> - Dab the stain with a cloth moistened with acetone or amyl acetate.
Unknown stain	<ul style="list-style-type: none"> - Dab successively with methylene chloride, then acetone, then a dilute white vinegar solution, - Clean with a carpet shampoo. - Rinse with clean water.

* **Remember:** remover must be applied on a clean cloth, NEVER directly on the carpet.

14 x 14m Complete carpet
(Ref.: 6380H)



13.05 x 13.05m Complete carpet
(Ref.: 6390I)



26	-	-	-	-
25	-	-	-	-
24	-	-	-	-
23	-	-	-	-
22	-	-	-	-
21	-	-	-	-
20	-	-	-	-
19	-	-	-	-
18	-	-	-	-
17	-	-	-	-
16	-	-	-	-
15	-	-	-	-
14	-	-	-	-
13	-	-	-	-
12	-	-	-	-
11	-	-	-	-
10	-	-	-	-
9	-	-	-	-
8	1	Carpets Anti-Rotation Kit	6532B	-
7	4	2.50m x 25cm Black adhesive strip	-	Include in 2, 3 & 6
6	4	2.50m x 5cm Beige adhesive strip	-	Include in 8
4'	1	13.05 x 3.52 m Right side width No. 4	6390/144	Ex. Floor 13 x 13m
3'	1	13.05 x 3 m Central width No. 3	6390/143	Ex. Floor 13 x 13m
2'	1	13.05 x 3 m Central width No. 2	6390/142	Ex. Floor 13 x 13m
1'	1	13.05 x 3.52 m Left side width No. 1	6390/141	Ex. Floor 13 x 13m
5	3	14 m Joining strip, beige / red	-	Unit
4	2	14 x 4 m Right side width No. 4	6380/144	Ex. Floor 14 x 14m
3	1	14 x 3 m Central width No. 3	6380/143	Ex. Floor 14 x 14m
2	1	14 x 3 m Central width No. 2	6380/142	Ex. Floor 14 x 14m
1	1	14 x 4 m Left side width No. 1	6380/141	Ex. Floor 14 x 14m
ITEM	QTY	DESCRIPTION	REFERENCE	REMARKS

**14x14M & 13x13M OVERLAY CARPETS
AND ARTISTIC GYMNASTICS EXERCISE FLOORS**

To order spare parts, please provide the description, reference and delivery date of the entire apparatus.

Constantly aiming to improve our products, we reserve the right to make changes to the equipment and dimensions without further discussion.

This document is the propriety of Gymnova, it is confidential and shall not be reproduced.

EXERCISE FLOORS FOR ARTISTIC GYMNASTICS

6570E - 6580A
6565F - 6595A



Warning:

This equipment should be installed by a qualified individual.

The apparatus should only be used by one person at a time, under the supervision of a qualified individual.

Using this equipment for purposes other than those originally intended is forbidden.

Compliance:

This equipment complies with the requirements of the European standard EN 913 "Gymnastic equipment - General safety requirements and test methods".

The 14 x 14m exercise floor reference **6570** is **F.I.G. approved**.

Recommendations:

As set out in French Standard NF S52-400 the following is recommended:

- keep these instructions for subsequent reference (inspection, maintenance, etc.).
- periodically carry out predictive maintenance.
- depending on how much it is used have the equipment serviced yearly or every few years.

Composition:

1/ 14 x 14 m exercise floor (Ref.: 6570E):

- 14 x 14 m overlay carpet (Ref.: 6380C) -> Detailed packaging: refer to instructions NM254.
- 13.5 x 13.5 m impact-absorbing foam (Ref.: 6542A) -> Detailed packaging: refer to instructions NM253.
- 13 x 13 m high elasticity floor (Ref.: 6580A)
- Anti-Rotation Kit for floors - 4 adjustable cables (Ref.: 6529D) -> Size: 100 x 305 x 345 mm - Volume: 0.01 m³ - Weight: 3,5 Kg

2/ 13.20 x 13.20 m exercise floor (Ref.: 6565F):

- 13.15 x 13.15 m overlay carpet (Ref.: 6390C) -> Detailed packaging: refer to instructions NM254.
- 12.6 x 12.6 m impact-absorbing foam (Ref.: 6572A) -> Detailed packaging: refer to instructions NM253.
- 12.5 x 12.5 m high elasticity floor (Ref.: 6595A)
- Anti-Rotation Kit for floors - 4 adjustable cables (Ref.: 6529D) -> Size: 100 x 305 x 345 mm - Volume: 0.01 m³ - Weight: 3,5 Kg

Packaging:

Ref. / Packages	6580/50 Pallet of 24 panels + KAR Foam	6580/41 Edge set 2 x 0.5 m + Corners	6580/42 Edge set 2 x 0.5 m	6580/43 Edge set 1.5 x 0.25 m	659/13 Set of 30 sections Length 44 cm	6590/15 Set of 28 sections Length 1.80 m	6590/16 Set of 29 sections Length 1.30 m	660/20 Set of 68 plates	No. of Pack- ages
6580A High-elasticity floor 13 x 13 m	2	1	1	2	1	2	2	1	12
Volume (m³) Weight (kg) Dimensions (mm)	4.35 722 2000 x 1500 x 1450	0,440 69 2000 x 440 x 500	0,440 69 2000 x 440 x 500	0,215 34 1500 x 500 x 320	0,0088 4 460 x 160 x 120	0,0324 20 1800 x 180 x 100	0,0215 15,50 1300 x 150 x 110	0,0302 3 410 x 320 x 230	

Ref. / Packages	6580/50 Pallet of 24 panels + KAR Foam	6590/51 Edge set 2 x 0.25 m	6590/52 Edge set 1.5 x 0.25 m	6590/53 Edge set 2 x 0.25 m + Corners	659/14 Set of 30 sections Length 19 cm	6590/15 Set of 28 sections Length 1.80 m	6590/16 Set of 29 sections Length 1.30 m	660/20 Set of 68 plates	No. of Pack- ages
6595A High-elasticity floor 12.5 x 12.5 m	2	1	2	1	1	2	2	1	12
Volume (m³) Weight (kg) Dimensions (mm)	4.35 722 2000 x 1500 x 1450	0,215 38 2000 x 430 x 250	0,124 20 1500 x 330 x 250	0,215 34 2000 x 430 x 250	0,0088 4 460 x 160 x 120	0,0324 20 1800 x 180 x 100	0,0215 15,50 1300 x 150 x 110	0,0302 3 410 x 320 x 230	

**KEEP THIS
DOCUMENT**

I. Assembling the floor: A minimum of 2 people are needed.

Important: Check that the storage spacers have been fully removed on assembly (retain them for future storage).

- 1 - Determine the position of the complete exercise floor by marking out its perimeter on the floor (as shown in Fig. 1), i.e. a square measuring:
 - 14 x 14 m for reference 6570E (Check on diagonal length: 19.80 m).
 - 13.15 x 13.15 m for reference 6565F (Check on diagonal length: 18.60 m).
- 2 - Next mark out a square measuring 12 x 12 m (Check on diagonal length: 16.97 m) centered within the first one: position of the floor without the edges (see Fig. 1).
- 3 - Prepare the 4 corner panels (2) and (2') which include a 1.50 m Velcro strip on one width and fixation system of anti-rotation kit (16): assemble the 4 cables with NM206 assembly instructions (supplied in package ref.: 6529D).
- 4 - Assemble the 48 floor panels (2 x 1.50 m) 2 of which are left corner panels (2), and 2 right corner panels (2'). Start on the 12 m side from a corner, with a corner panel (2) or (2') and its Velcro strip towards the outside (see Fig. 2, 5 or 6). Assemble a minimum of 4 panels on each side starting from the corner, then fan out with the panels (1) following the sequence shown in Fig. 1.
- 5 - Fit locking plates (10) and sections (7) and (8) as assembly of the floor panels (1), (2) and (2') progresses. In order to fit them without difficulty, it is important that sections (7) and (8) are centered relative to floor panels (1), (2) and (2'). In the event that a section (7) or (8) is not centered correctly, adjust it by hand or using a wooden block and a mallet if necessary. **Warning: Do not forget to lock each link plate (10) by turning the catch from "O" to "F" (see Fig. 3).**
- 6 - Fitting the edges (see Fig. 4):
 - For reference 6570E: fit the 4 corner edges 2 x (5) and 2 x (6), the 12 long edges (3) and the 12 short edges (4).
 - For reference 6565F: fit the 4 corner edges 2 x (13) and 2 x (14), the 12 long edges (11) and the 12 short edges (12).
 The floor is fully assembled: see Fig. 5 for the 14 x 14 m exercise floor or Fig. 6 for the 13.20 x 13.20 m exercise floor.

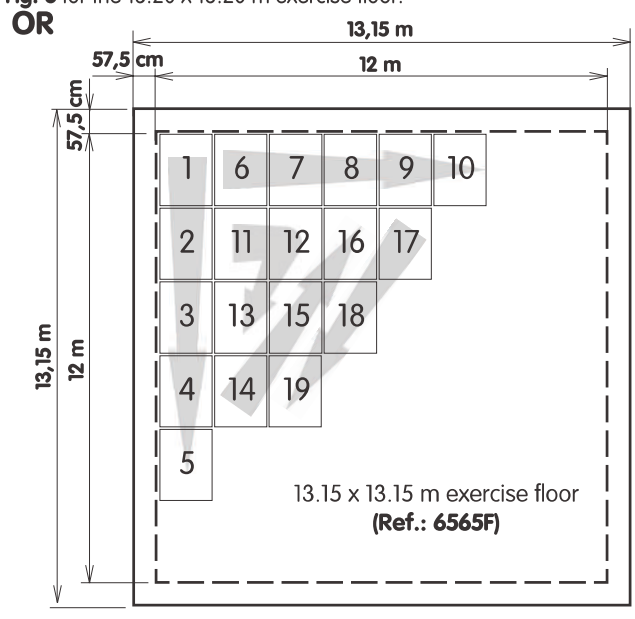
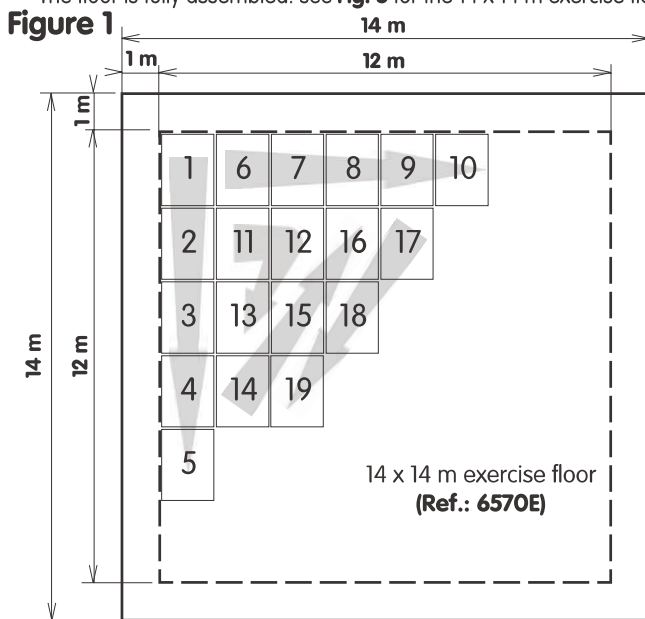
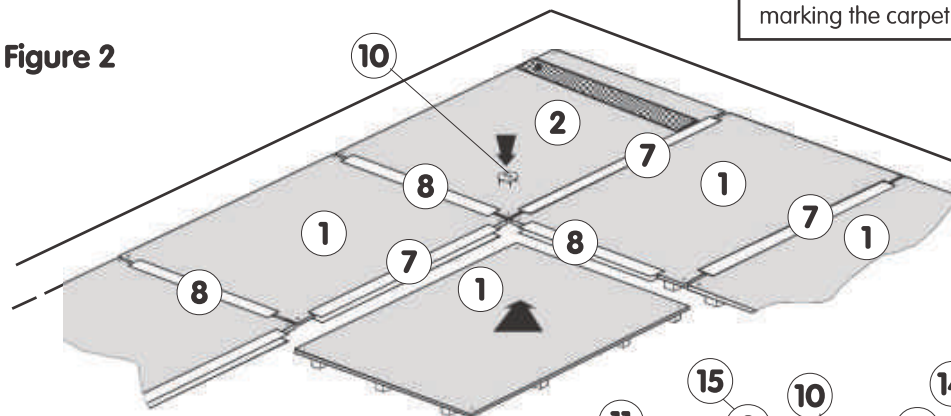


Figure 2



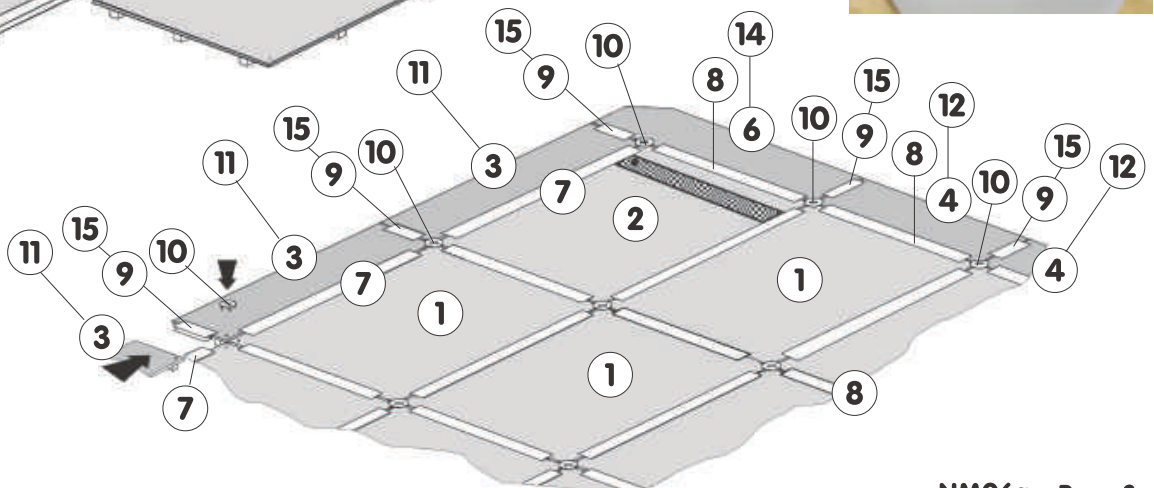
marking the carpet outline

marking the outline of the 48 floor panels

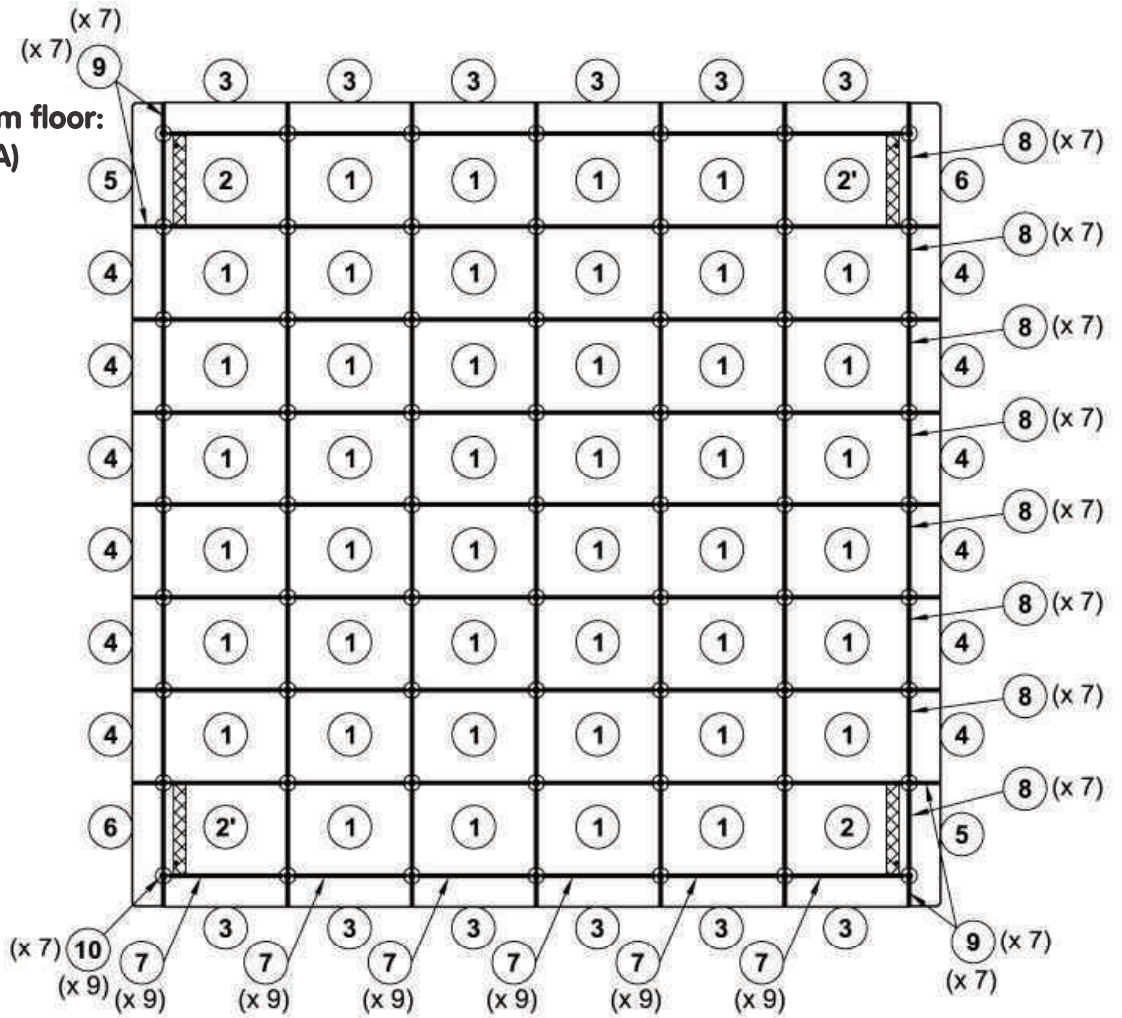
Figure 3



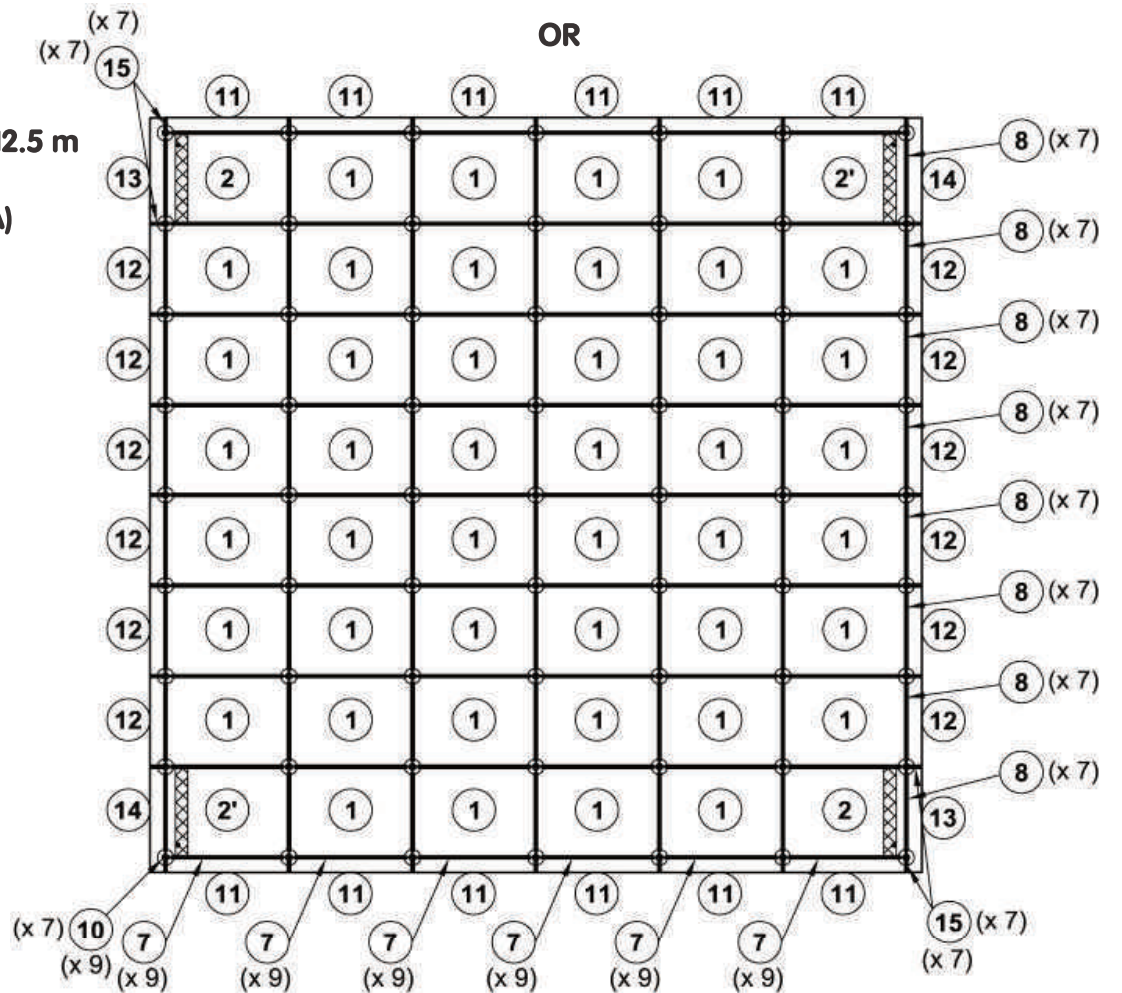
Figure 4



Complete 13 x 13 m floor:
 (Ref.: 6580A)
 Figure 5



Complete 12.5 x 12.5 m floor:
 (Ref.: 6595A)
 Figure 6



II. Assembling the Impact-absorbing Foam Area.

Refer to assembly instructions for NM253.

III. Assembling the Overlay carpet:

Refer to assembly instructions for NM254.

IV. Disassembly and storage of High elasticity floor:

- Unlock link plates (10) and remove them (lift them if necessary using a large flat-blade screwdriver).
- Slide sections (9) or (15), (7) and (8) along the length of the panels and the edges before disassembling the various components.

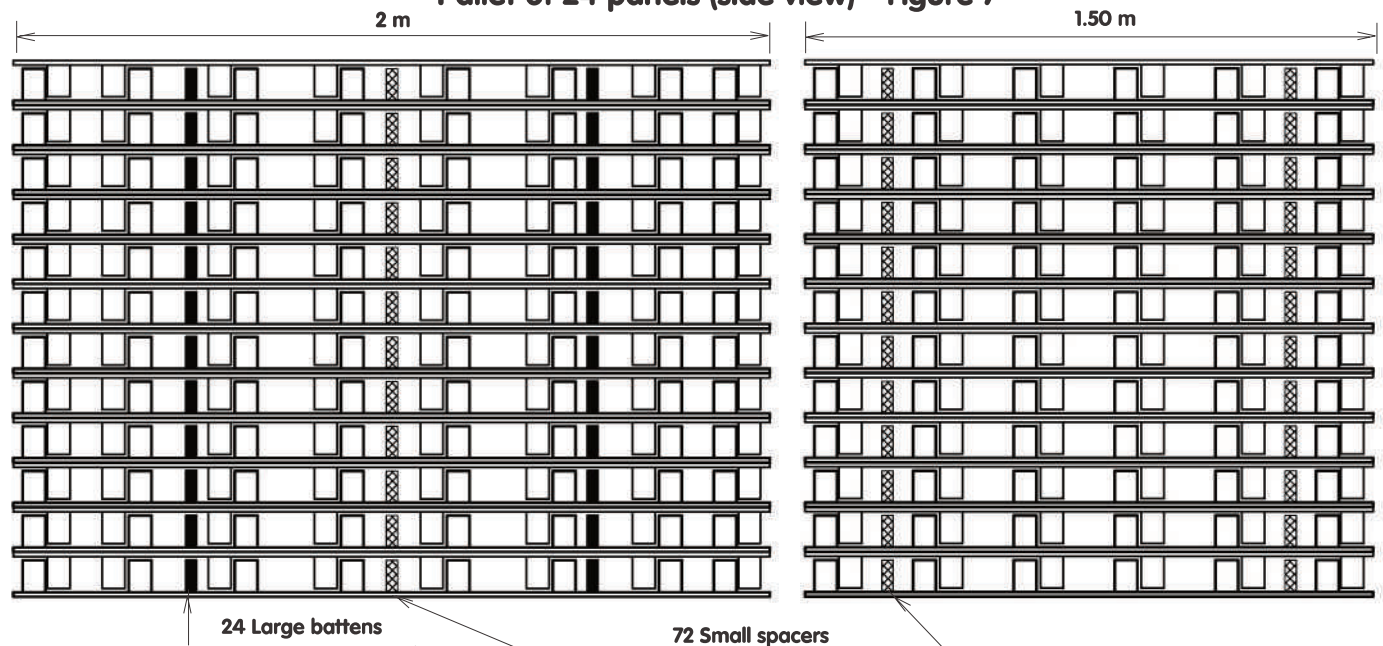
1 - Frequent storage for short periods:

It is highly advisable to store the panels **fully vertically**, nested together 2 by 2.

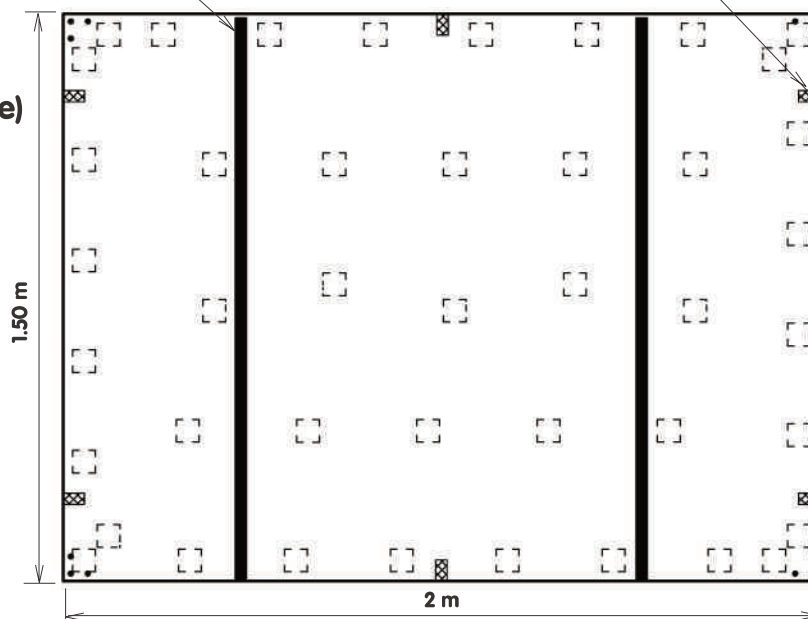
2 - Extended storage (as shown in Fig. 7 and 8):

- It is imperative that the panels be stacked **horizontally**, nested together 2 by 2: stack the panels up to a maximum of 24 high.
- Finish by stacking corner panels (2) and (2') which are equipped with fixation system of anti-rotation Kit.
- Reuse the small spacers and the large battens supplied on delivery, otherwise permanent damage to the resilience the floor derives the foam blocks may result.

Pallet of 24 panels (side view) - Figure 7



**Pallet
(viewed from above)
Figure 8**

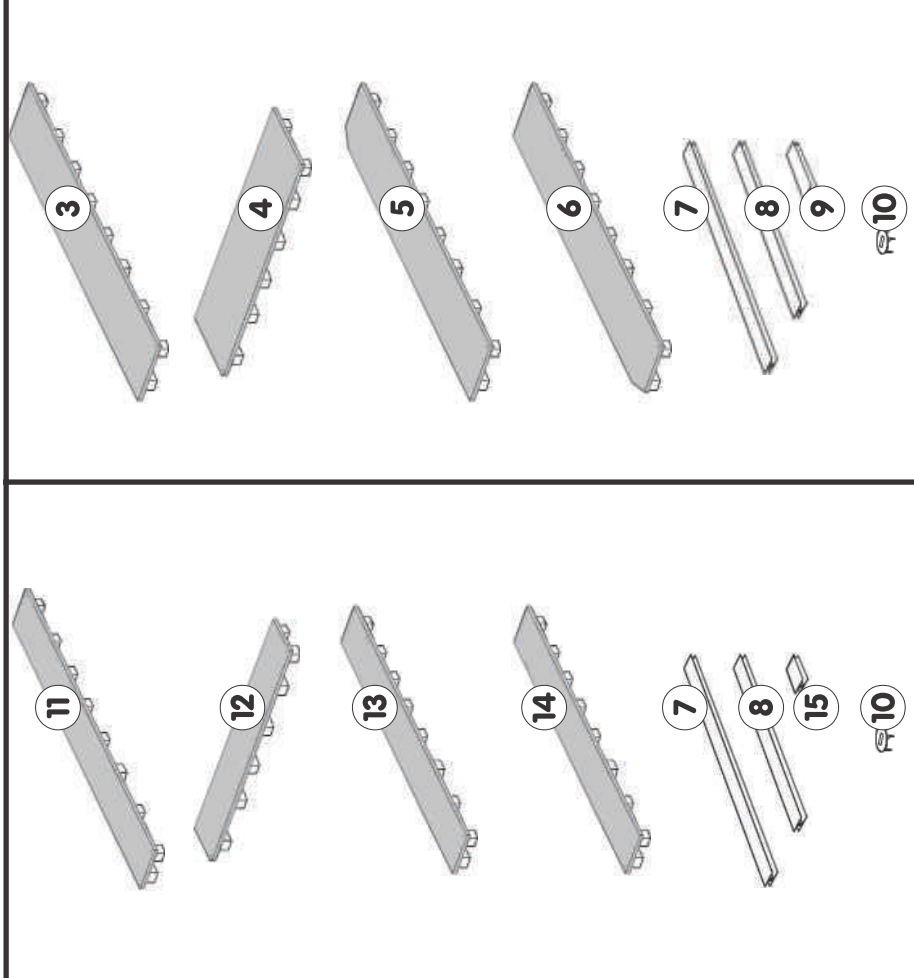
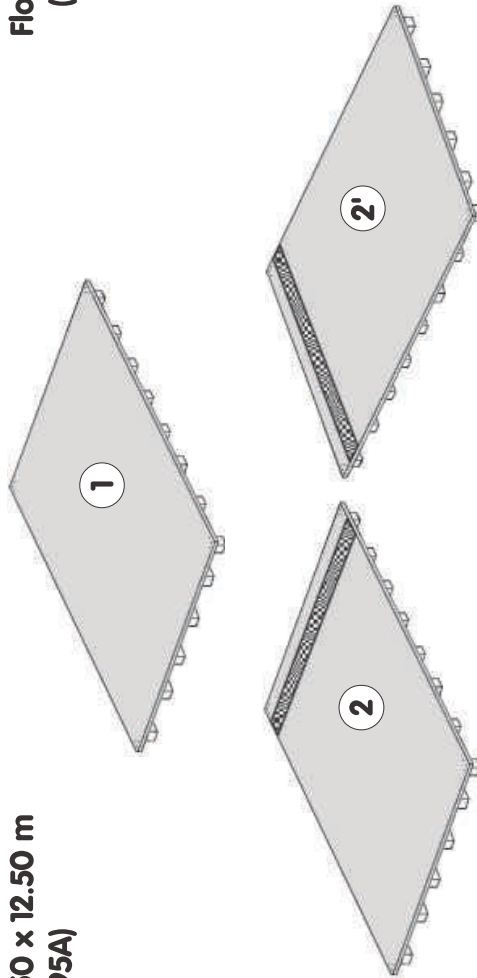


V. Maintenance:

- Regular cleaning of the exercise makes it easier to see any problems, (distortion, breakage or moisture absorption).
- Check the presence and condition: of sections (9) or (15), (7) and (8) and of link plates (10) as well as their locking.
- Check the condition of the floor (timber and high-elasticity foam blocks), of the foam tracks (cf. NM253), and of the carpet (cf. NM254).
- Any damaged or distorted component should be replaced as soon as possible.

**Floor, 12.50 x 12.50 m
(Ref.: 6595A)**

**Floor, 13 x 13 m
(Ref.: 6580A)**



ITEM	QTY	DESCRIPTION	REFERENCE	REMARKS
29	-	-	-	-
28	-	-	-	-
27	-	-	-	-
26	-	-	-	-
25	-	-	-	-
24	-	-	-	-
23	-	-	-	-
22	-	-	-	-
21	-	-	-	-
20	-	-	-	-
19	-	-	-	-
18	-	-	-	-
17	-	Repairing Kit for exercise floor	6537	cf. NM205
16	1	Anti-Rotation Kit for exercise floor	6529D	cf. NM206
15	28	Linking section, 19 cm long	659/08	Ex. floor, 13.20 x 13.20 m
14	2	L.H. corner edge, 1.75 x 0.25 m	6595/14	Ex. floor, 13.20 x 13.20 m
13	2	R.H. corner edge, 1.75 x 0.25 m	6595/13	Ex. floor, 13.20 x 13.20 m
12	12	Short edge, 1.50 x 0.25 m	6595/12	Ex. floor, 13.20 x 13.20 m
11	12	Long edge, 2.00 x 0.25 m	6595/11	Ex. floor, 13.20 x 13.20 m
10	63	Locking plate	660/14	for 2 Exercise floors
9	28	Linking section, 44 cm long	659/03	Ex. floor, 14.00 x 14.00 m
8	56	Linking section, 1.30 m long	659/06	for 2 Exercise floors
7	54	Linking section, 1.80 m long	659/05	for 2 Exercise floors
6	2	L.H. corner edge, 2 x 0.50 m	6580/18	Ex. floor, 14.00 x 14.00 m
5	2	R.H. corner edge, 2.00 x 0.50 m	6580/17	Ex. floor, 14.00 x 14.00 m
4	12	Short edge, 1.50 x 0.50 m	658/03	Ex. floor, 14.00 x 14.00 m
3	12	Long edge, 2.00 x 0.50 m	658/02	Ex. floor, 14.00 x 14.00 m
2'	2	Right Corner plate 2x1.50m+KAR	6580/52	for 2 Exercise floors
2	2	Left Corner plate 2x1.50m+KAR	6580/51	for 2 Exercise floors
1	44	Floor plate, 2.00 x 1.50 m	658/01	for 2 Exercise floors
ITEM	QTY	DESCRIPTION	REFERENCE	REMARKS



RUE GASTON DE FLOTTE
13012 MARSEILLE
Tél. : 33-(0)-4-91-87-51-20
Fax : 33-(0)-4-91-93-86-89

**EXERCISE FLOORS FOR ARTISTIC
GYMNASTICS**

BY : J. BRIOT DATE : 06/05/10 NM06g Ref. : 6570E - 6580A - 6565F - 6595A

THIS DOCUMENT IS THE PROPERTY OF GYMNOVA. IT IS CONFIDENTIAL AND SHALL NOT BE REPRODUCED WITHOUT PRIOR AUTHORIZATION.

**FOAM AND EXERCISE FLOORS
 FOR ARTISTIC GYMNASTICS**

**6570E - 6542A
 6565F - 6572A**



Warning:

This equipment should be installed by a qualified individual.
 The apparatus should only be used by one person at a time, under the supervision of a qualified individual.
 Using this equipment for purposes other than those originally intended is forbidden.

KEEP THIS DOCUMENT

Compliance:

This equipment complies with the requirements of the European standard EN 913 "Gymnastic equipment - General safety requirements and test methods".

The 14 x 14 m exercise floor reference **6570** is **F.I.G. approved**.

Recommendations:

- As set out in French Standard NF S52-400 the following is recommended:
- keep these instructions for subsequent reference (inspection, maintenance, etc.).
 - periodically carry out predictive maintenance.
 - depending on how much it is used have the equipment serviced yearly or every few years.

Composition:

1/ 14 x 14 m exercise floor (Ref.: 6570E):

- 14 x 14 m overlay carpet (Ref.: 6380C) -> Detailed packaging: refer to instructions NM254.
- 13.5 x 13.5 m impact-absorbing foam (Ref.: 6542A)
- 13 x 13 m high elasticity floor (Ref.: 6580A) -> Detailed packaging: refer to instructions NM06p.
- Anti-Rotation Kit for floors - 4 adjustable cables (Ref.: 6529C) -> Detailed packaging: refer to instructions NM06p.

2/ 13.20 x 13.20 m exercise floor (Ref.: 6565F):

- 13.15 x 13.15 m overlay carpet (Ref.: 6390C) -> Detailed packaging: refer to instructions NM254.
- 12.6 x 12.6 m impact-absorbing foam (Ref.: 6572A)
- 12.5 x 12.5 m high elasticity floor (Ref.: 6595A) -> Detailed packaging: refer to instructions NM06p.
- Anti-Rotation Kit for floors - 4 adjustable cables (Ref.: 6529C) -> Detailed packaging: refer to instructions NM06p.

Packaging:

Ref. / Packages	6542/00 Set of 7 Velcro links Foam tracks	6542/01 Center foam track 13.5 x 2 m	6542/12 Side foam track + ARK 13.5 x 2 m	6542/13 Center foam track 13.5 x 1 m	6542/04 Center foam track 13.5 x 0.5 m	Number of Packages
6542A Impact-absorbing foam 13.5 x 13.5 m	1	4	2	1	1	9
Volume (m³) Weight (kg) Dimensions (mm)	0.0168 2 360 x 260 x 180	1.20 40 2000 x 1000 x 600	1.20 40 2000 x 1000 x 600	0.60 20 2000 x 1000 x 300	0.40 20 2000 x 500 x 400	

Ref. / Packages	6542/00 Set of 7 Velcro links Foam tracks	6572/01 Center foam track 12.6 x 2 m	6572/12 Left-hand side foam track + ARK - 12.6 x 2 m	6572/13 Right-hand side foam track + ARK - 12.6 x 2 m	6572/04 Center foam track 12.6 x 0.6 m	Number of Packages
6572A High-elasticity floor 12.6 x 12.6 m	1	4	1	1	1	8
Volume (m³) Weight (kg) Dimensions (mm)	0.0168 2 360 x 260 x 180	1.20 40 2000 x 1000 x 600	0.60 20 2000 x 1000 x 300	0.60 20 2000 x 1000 x 300	0.30 20 2000 x 500 x 300	

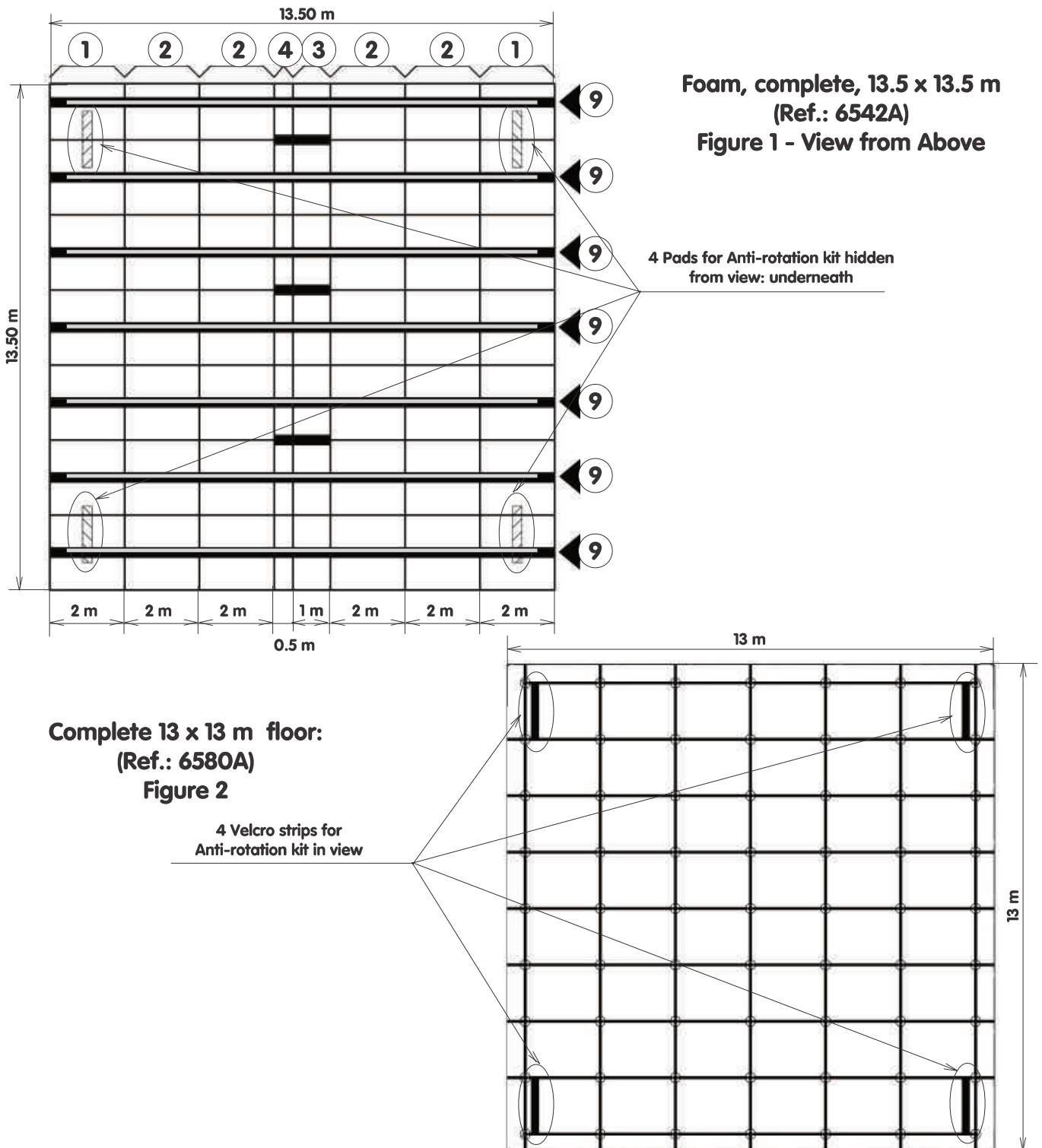
I. Assembling the floor:

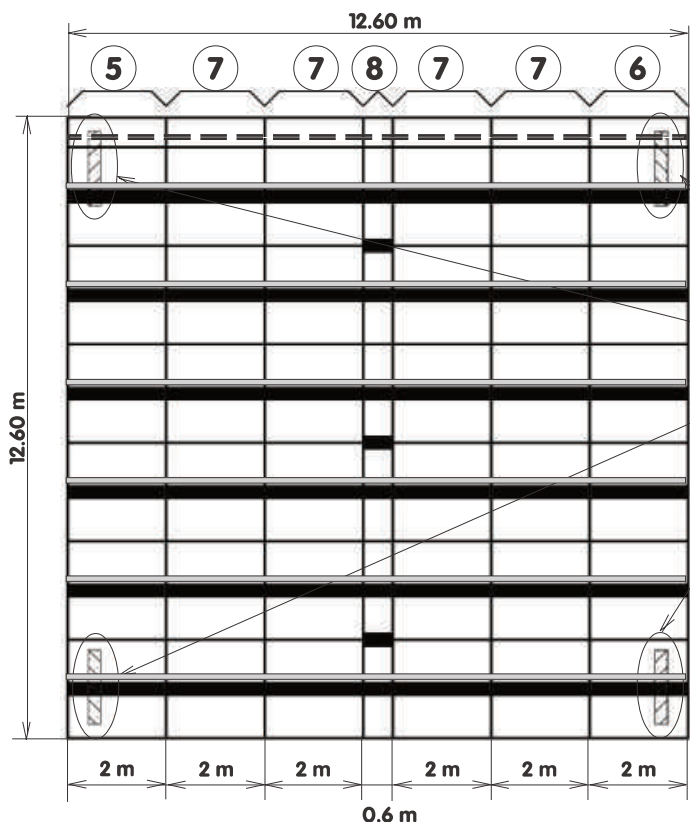
Refer to assembly instructions for NM06p.

II. Assembling the Impact-absorbing Foam Area (a minimum of 2 people are needed):

- 1 - Unfold the foam tracks with the white side in view, while aligning the black fabric hinges:
 - Exercise floor, 14 x 14 m (Ref.: **6570E**): 8 tracks of which 2 tracks **(1)** feature 2 x 1.50 m fabric strips for the Anti-Rotation Kit (see **Fig. 1**).
 - Exercise floor, 13.20 x 13.20 m (Ref.: **6565F**): 7 tracks of which 2 tracks **(5)** and **(6)** feature 2 x 1.50 m fabric strips for the ARK (see **Fig. 3**).
 The 1.50 m Velcro strips on the corner panels of the floor (2 x 1.50 m) and the 1.50 m black fabric pads on the foam tracks **(1)** or **(5)** and **(6)** should be positioned opposite one another (see **Fig. 1 & 2** or **Fig. 3 & 4**).
- 2 - Tracks including the Anti-rotation kit pads are to be placed on the outside of the floor. Start by positioning:
 - For reference **6570E** (see **Fig. 1**): one track **(1)** which must protrude by **25 cm** either side of the floor.
 - For reference **6565F** (see **Fig. 3**): track **(5)** or **(6)** which must protrude by **5 cm** either side of the floor.
- 3 - Once the first track has been secured to the floor with the 2 anti-rotation pads, fit the other foam tracks side by side, aligned to one another as shown in **Fig. 1 & 2** or **Fig. 3 & 4**.
- 4 - Once the black fabric hinges on the various tracks have been aligned, lock the assembly together using the 7 Velcro strips **(9)** which are 5 cm wide by 12.5 m long: attach one end to the first track (at the first black fabric hinge), apply tension at the other end, then walk over the full 12.50 m length of each one.

Note: For reference **6565F** (see **Fig. 3**), the first hinges are located underneath, the Velcro strip **(9)** is to be placed under the foam.





Foam, complete, 12.6 x 12.6 m
(Ref.: 6572A)

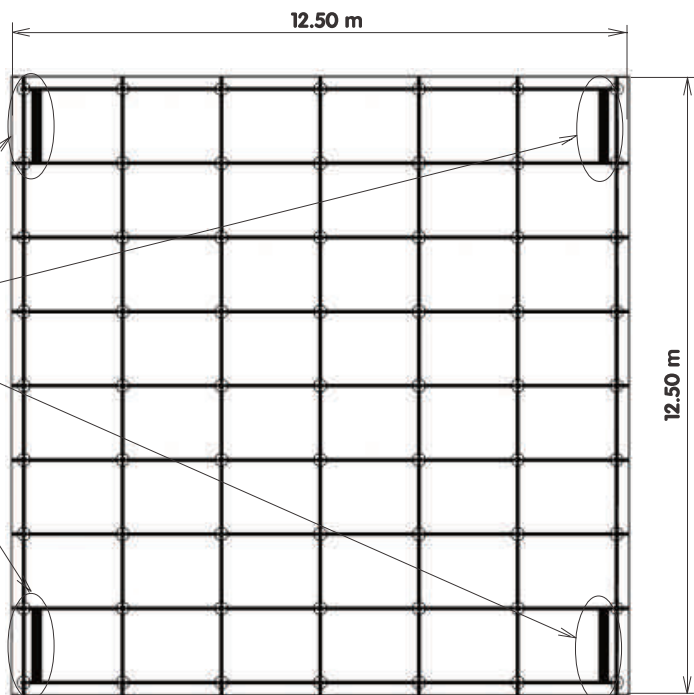
Figure 3 - View from Above

(1st hinge hidden from view: underneath)

4 Pads for Anti-rotation kit
hidden from view: underneath

Complete 12.5 x 12.5 m floor:
(Ref.: 6595A)
Figure 4

4 Velcro strips for
Anti-rotation kit in view



III. Assembling the Overlay carpet:

Refer to assembly instructions for NM254.

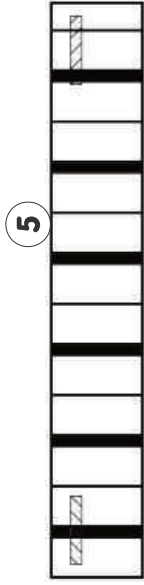
IV. Disassembly and storage of High elasticity floor:

Refer to assembly instructions for NM06p.

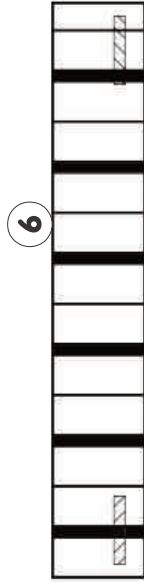
V. Maintenance:

- Regular cleaning of the exercise makes it easier to see any problems, (distortion, breakage or moisture absorption).
- Check condition: of foam tracks (1), (2), (3) and (4), or (5), (6), (7) and (8); of Velcro linking strips (9).
- Check the condition of the floor (timber and high-elasticity blocks, sections, plates), (cf. NM06p), and of the carpet (cf. NM254).
- Any damaged or distorted component should be replaced as soon as possible.

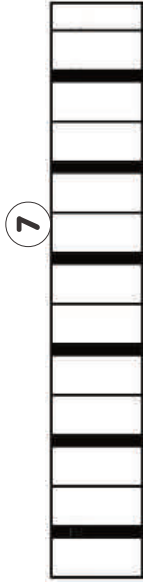
**Foam, 12.6 x 12.6 m
(Ref.: 6572A)**



5



6



7

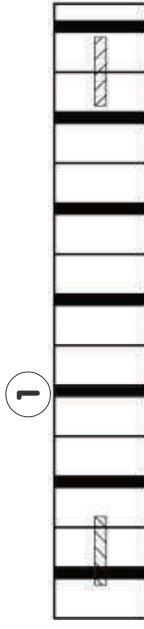


8

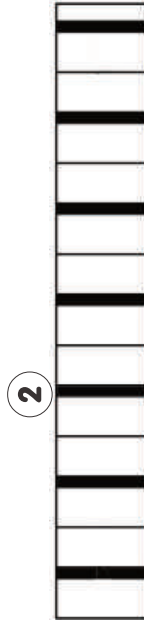


9

**Foam, 13.5 x 13.5 m
(Ref.: 6542A)**



1



2



3



4



9

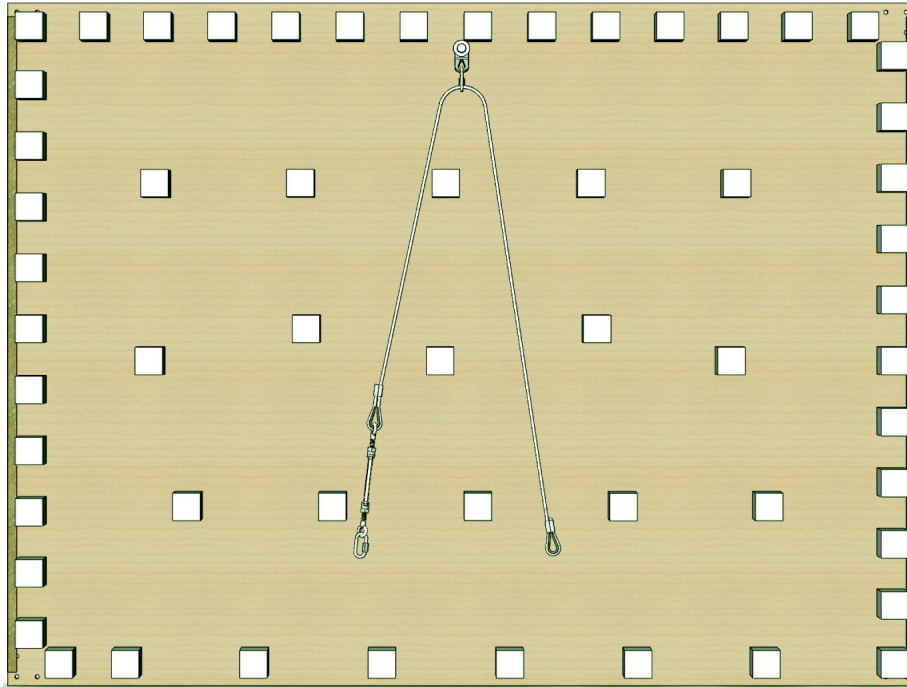
ITEM	QTY	DESCRIPTION	REFERENCE	REMARKS
30	-		-	-
29	-		-	-
28	-		-	-
27	-		-	-
26	-		-	-
25	-		-	-
24	-		-	-
23	-		-	-
22	-		-	-
21	-		-	-
20	-		-	-
19	-		-	-
18	-		-	-
17	-		-	-
16	-		-	-
15	-		-	-
14	-		-	-
13	-		-	-
12	-		-	-
11	-		-	-
10	-	Anti-Rotation Kit for foam	6531A	cf. NM39b
9	1	Set of 7 Velcro strips, 12.5 m	6542/00	for 2 Exercise floors
8	1	Center track, 12.6 x 0.6 m	6572/04	Ex. floor, 13.20 x 13.20 m
7	4	Center track, 12.6 x 2 m	6572/01	Ex. floor, 13.20 x 13.20 m
6	1	Right-hand track, 12.6 x 2 m	6572/13	Ex. floor, 13.20 x 13.20 m
5	1	Left-hand track, 12.6 x 2 m	6572/12	Ex. floor, 13.20 x 13.20 m
4	1	Center track, 13.5 x 0.5 m	6542/04	Ex. floor, 14 x 14 m
3	1	Center track, 13.5 x 1 m	6542/13	Ex. floor, 14 x 14 m
2	4	Center track, 13.5 x 2 m	6542/01	Ex. floor, 14 x 14 m
1	2	Side track, 13.5 x 2 m + ARK	6542/12	Ex. floor, 14 x 14 m

Gymnova
 RUE GASTON DE FLOTTE
 13012 MARSEILLE
 Tél. : 33-(0)-4-91-87-51-20
 Fax : 33-(0)-4-91-93-86-89

**FOAM AND EXERCISE FLOORS
FOR ARTISTIC GYMNASTICS**

To order spare parts, provide the description, reference and delivery date of the entire apparatus.

**STOPPER CABLES AND ANTI-ROTATION KITS
 FOR GYM EXERCISE FLOORS AND ACROBATIC TRACKS
 M'2012**
**6180/27
 6528C - 6529D**

 KEEP THIS
 DOCUMENT
**Warning:**

This equipment should be installed by a qualified individual.
 Attachments that are provided with these kits may only be used if the support complies with the **CC78** specifications.
 Using this equipment for purposes other than those originally intended is forbidden.

Recommendations:

As set out in French Standard NF S52-400 the following is recommended:

- keep these instructions for subsequent reference (inspection, maintenance, etc.).
- periodically carry out predictive maintenance.
- depending on how much it is used, have the equipment serviced yearly or every few years.

Packaging:

1 Pack (ref.: 6180/27) —> One complete cable:

Weight: 1.05 kg Dimensions: 140 x 150 x 180 mm Volume: 0.004 m³

1 Pack (ref.: 6528C) —> Set of 2 cables:

Weight: 3.15 kg Dimensions: 300 x 200 x 170 mm Volume: 0.01 m³

1 Pack (ref.: 6529D) —> Set of 4 cables:

Weight: 5.25 kg Dimensions: 300 x 200 x 170 mm Volume: 0.01 m³

Uses of stopper cables (ref.: 6180/27):

These cables prevent rotation and/or linear movement of dynamic floors:

- for GYMNOVA acrobatic tracks (Ref.: 6186 - 6191 - 6196)
- for GYMNOVA exercise floors (Ref.: 6565 - 6570 - 6574)

Maintenance:

- 1 - Regular floor cleaning allows any problems to be detected more easily (distortion, breakage, or corrosion).
- 2 - Before each use, thoroughly check the condition of the parts: wear to bracing flats **(8)**, cables **(14)**, quick links **(16)** and turnbuckles **(15)**.
- 3 - Periodically check the tension of cables **(13)**, locking of tighteners **(15)**, and closure of quick links **(16)**.
- 4 - Check that the attachments **(17)** are locked and that the bolts **(19)** do not protrude from the floor.
- 5 - **Important:**
 - If a problem is found or suspected, do not use the equipment until it has been checked by a technician.
 - Any damaged or distorted component should be replaced as soon as possible.

I. Installing the anti-rotation kit for tracks < 14 m (Ref.: 6528C) (minimum of two people required):

Note: if the track is less than 14 m in length, only 2 stopper cables are required to keep the ends in position and to keep the track straight.

1 - Installing the stopper cables under the floor:

- Once the floor is positioned (depending on the desired and/or existing configuration of the gymnasium), detach the end panels (1) from the track.
- Drill a 11 mm dia. hole, in the center of each end panel (1) along the track width and 10 cm from the edge (see Fig. 1).
- Insert a screw nut (9) into the top of the panel (1), then secure it using two wood screws (10) as shown in Fig. 1.
- Install the bracing flat (8) using the fastenings (5), (6) and (7), under each panel as shown in Fig. 2 and Fig. 3, in the direction shown by Fig. 4 and Fig. 5, before tightening to prevent rotation (see Fig. 3).
- Install a quick link (16) on each bracing flat (8), then insert a complete cable (6) (see Fig. 4 and Fig. 5).

Important: position the tighteners (15) on the easily accessible side of the track so as to provide access for maintenance.

Figure 1
End panel
(Viewed from above)

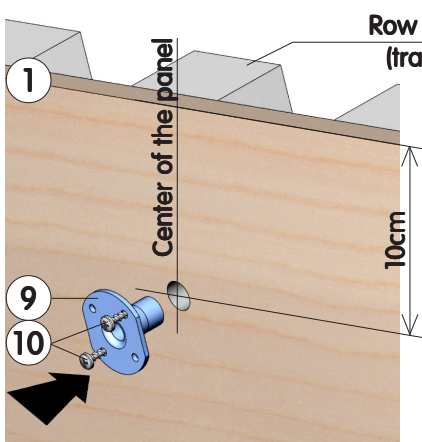


Figure 2
End panel
(Bottom view)

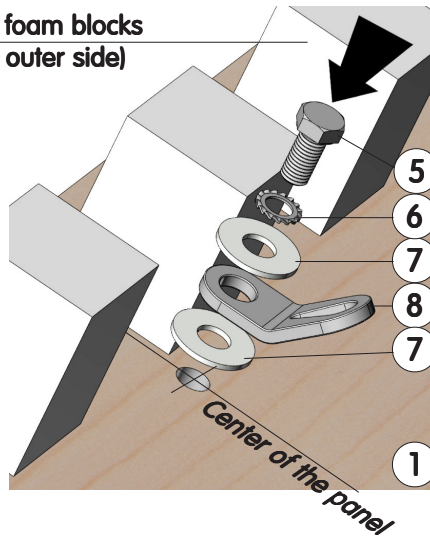


Figure 3
End panel
(Side view)

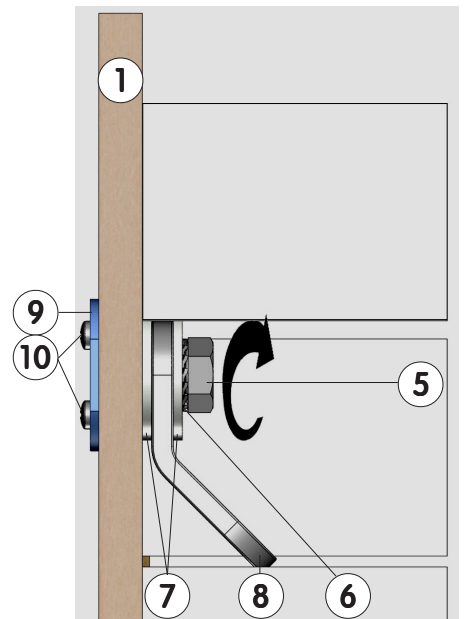
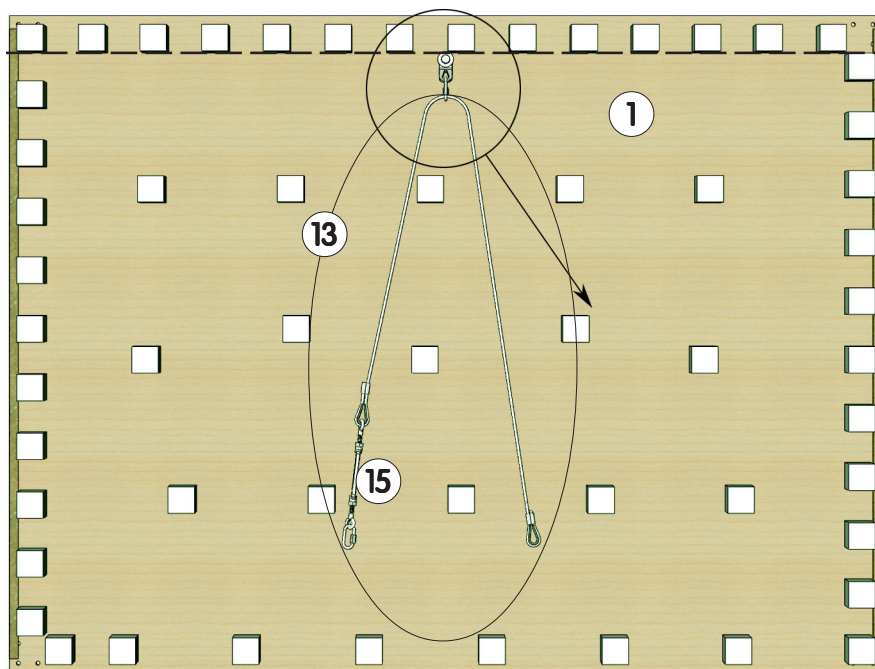
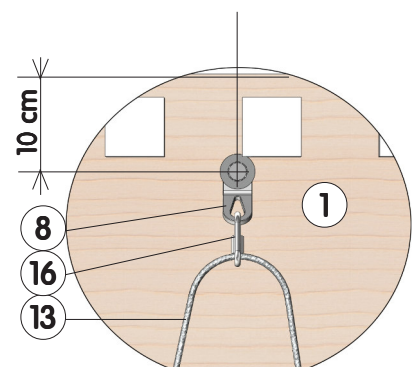


Figure 4
End panel with cable fitted
(Track width)



Row of foam blocks
(track outer side)

Figure 5
Installation details
Center of the end panel
(Track width)



2 - Securing the floor to ground:

2.1. Preparation:

- Check that the full track is straight (alignment of panels).
- Plot the position of the two end panels (1), and the position of the attachments as shown in **Fig. 6 and 6a** or **Fig. 7 and 7a**.
- Next, drill 12 mm dia. holes, 4.5 cm deep in the ground, at the end of the track.
- Carefully vacuum clean the holes before inserting the hammer-type bolts (19) provided: insert the collar, then hammer the bottom in order to secure it to the ground, using an appropriate tool (follow the steps shown on the right).

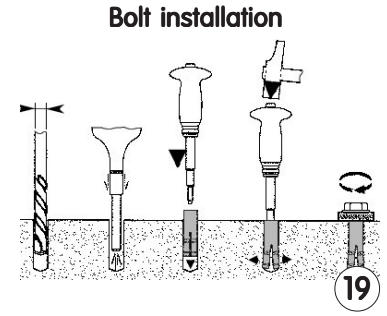


Figure 6
End panel for 2 m wide track

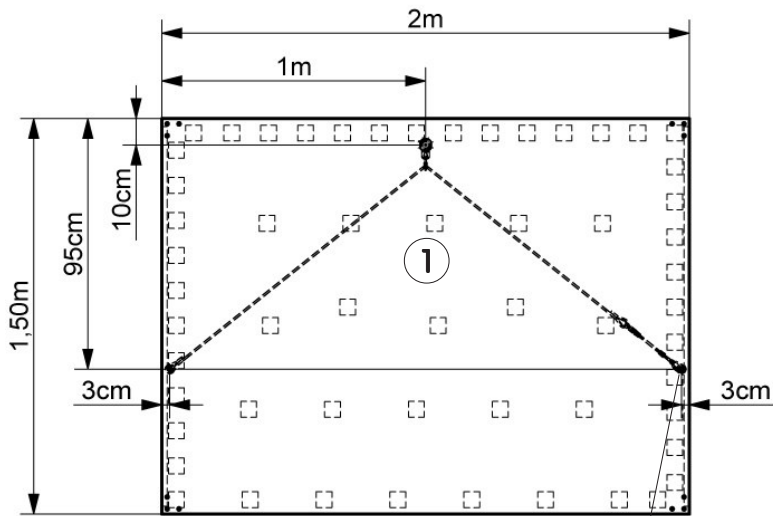


Figure 6a
2 m wide track

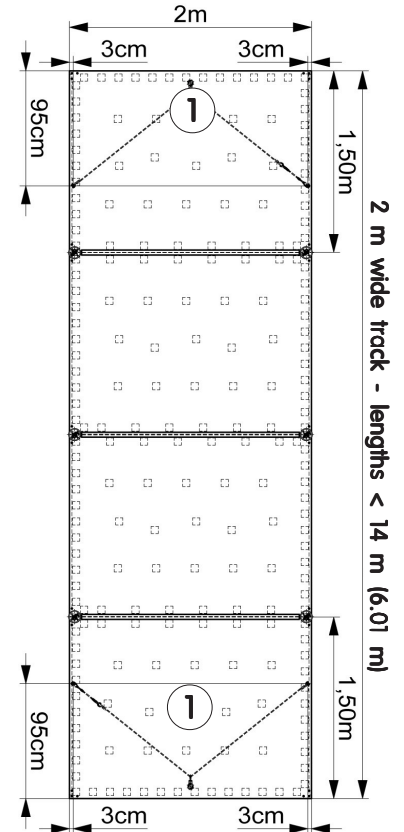
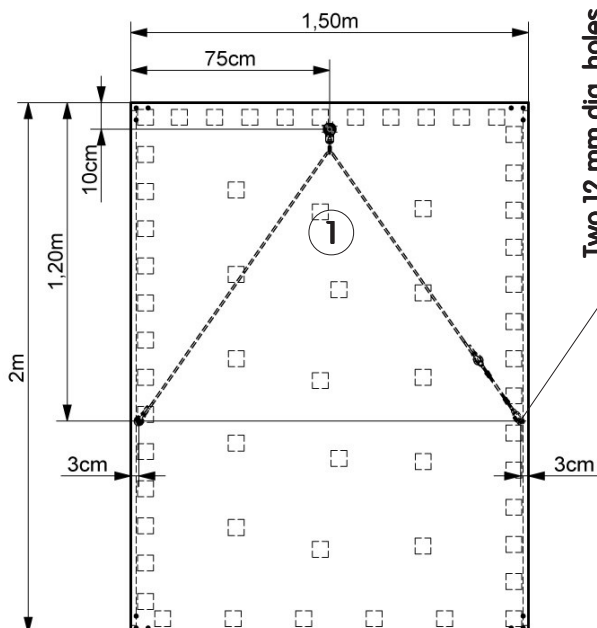
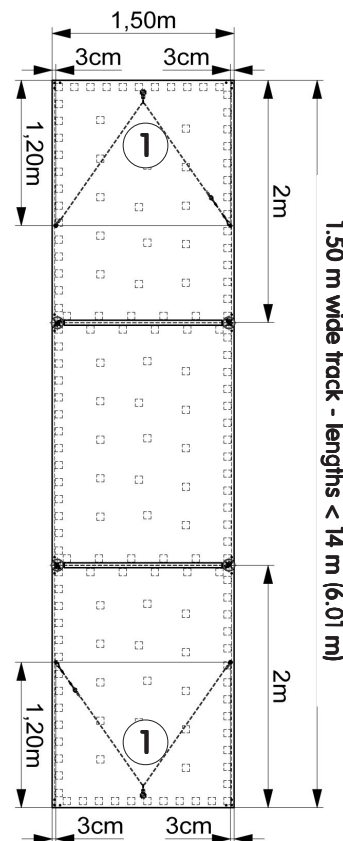


Figure 7
End panel for 1.50 m wide track



Two 12 mm dia. holes, 4.5 cm deep
on either side of the track

Figure 7a
1.50 m wide track



2.2. Fixing:

- Partially reinstall the track end panels (1) with the ends of the cables (13) protruding from the floor.
- Attach the ends of each cable, without tightening (contact with the ground), installing the fastenings in the right order (12), (11), (18) et (17) (see Fig. 8 and 9).
- Reinstall the track end panels (1) using the floor links.
- Check the alignment of all floor items (and the centering of the floor in relation to the attachments).
- Tighten the cables (13) using the tighteners (15).

Note: Moderate tightening of the floor attachments allows the cables (13) to be positioned most easily when the tension is adjusted.

Figure 8

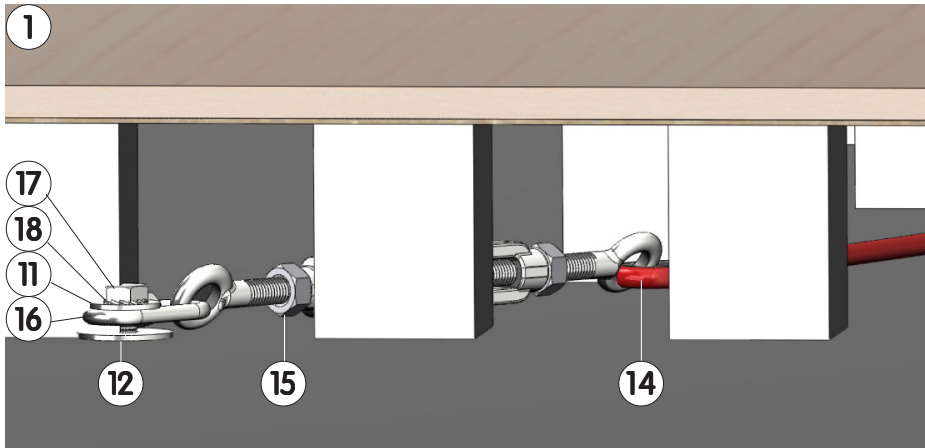
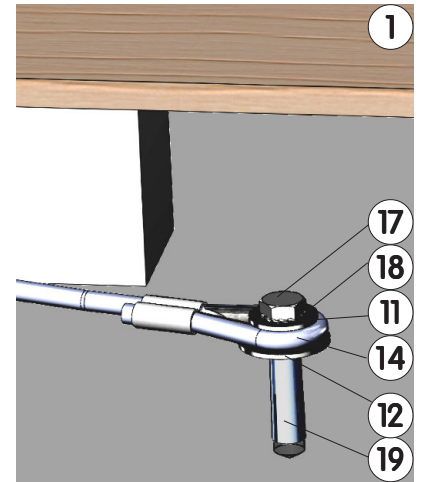


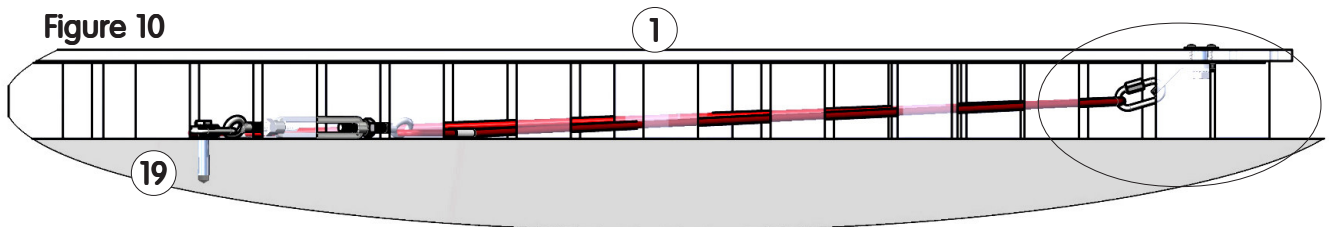
Figure 9



2.3. Tightening:

- To tighten the cables (13), slightly lift each end panel (1), so as to access the tightener (15).
- Screw in each tightener (15) enough, so that the cable (13) no longer rests on the ground (see Fig. 10 and 11).
- Fully tighten the ground attachment elements (12), (11), (18) and (17).
- Finally, manually screw the tighteners (15) so that the cables (13) are fully tensioned.
- Do not forget to lock the adjustment of each tightener (15), by fully tightening the locknuts with a wrench (see Fig. 12).

Figure 10



3 - Completing the track:

- Install (or reinstall) the foam, then the carpet, aligned on the floor.
- Install (or reinstall) the flaps along the track length.

Figure 11

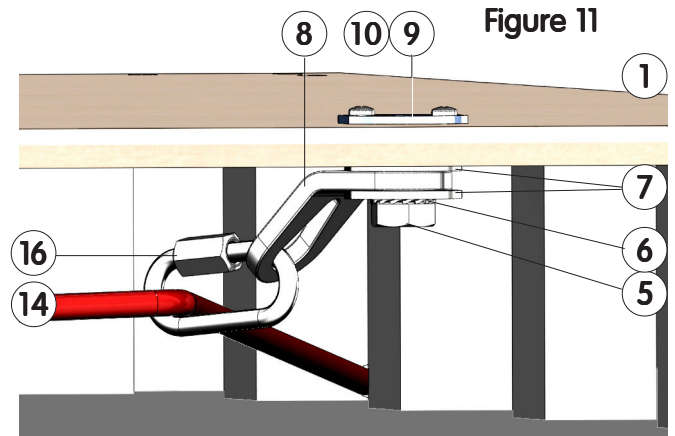


Figure 12



II. Assembling the anti-rotation kit for tracks ≥ 14 m (Ref.: 6529D) (minimum of two people required):
Note: above 14 m in length, 4 stopper cables are required to keep the track in position (2 at the ends and 2 in the center) and to keep it straight.

1 - Installing the stopper cables under the floor:

- Once the floor is positioned (depending on the desired and/or existing configuration of the gymnasium), detach the end panels (1), and a center panel (2) of the track.
- Refer to the steps described in «§ I. 1» for the end panels (1).
- Then, repeat the steps in the center of the track center panel (2) (see Fig. 13 and 13a or Fig. 14 and 14a).

2 - Securing the floor to the ground: refer to «§ I. 2», and repeat the steps for panels (2).

3 - Completing the track: refer to «§ I. 3»

Figure 14a
1.50 m wide track

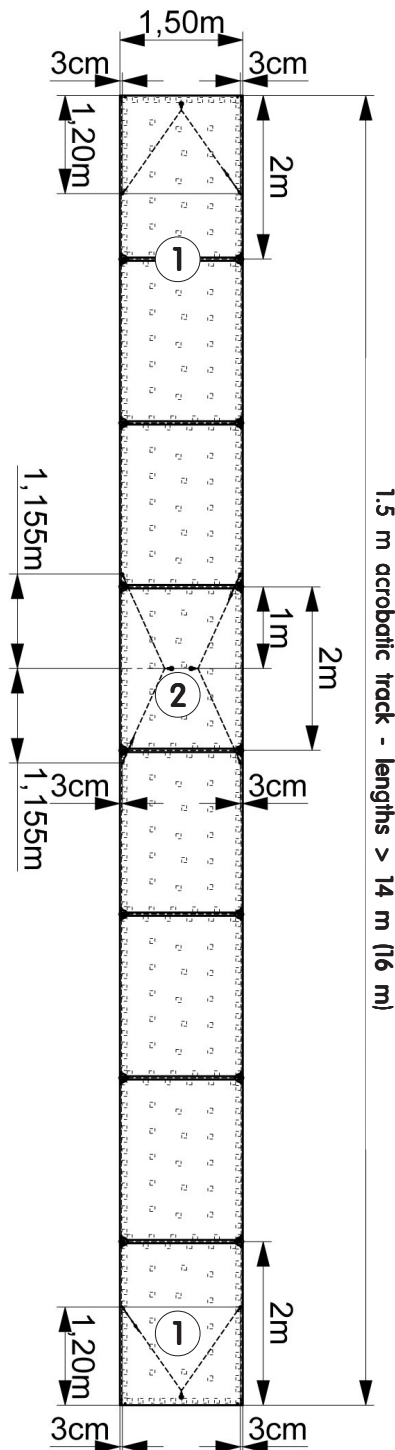


Figure 13
Center panel for 2m wide track

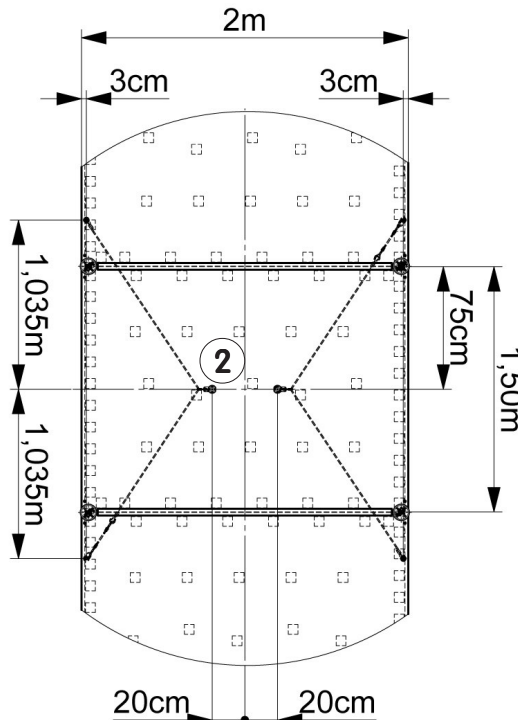


Figure 13a
2 m wide track

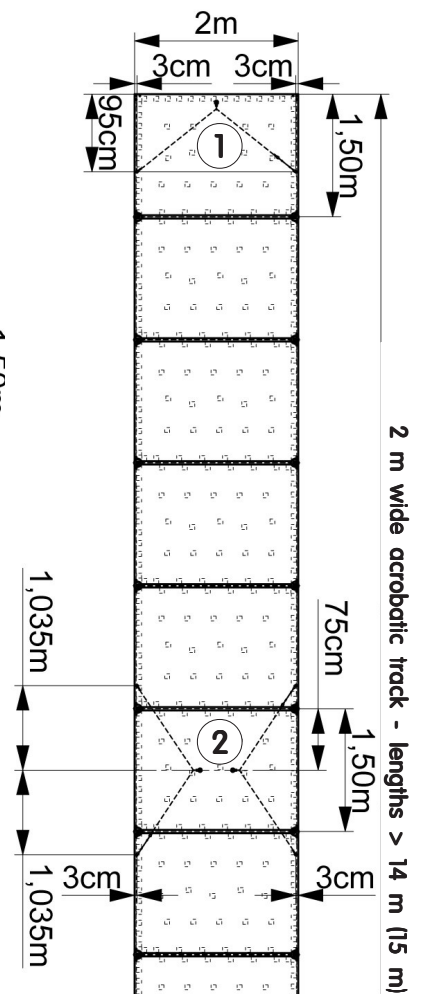
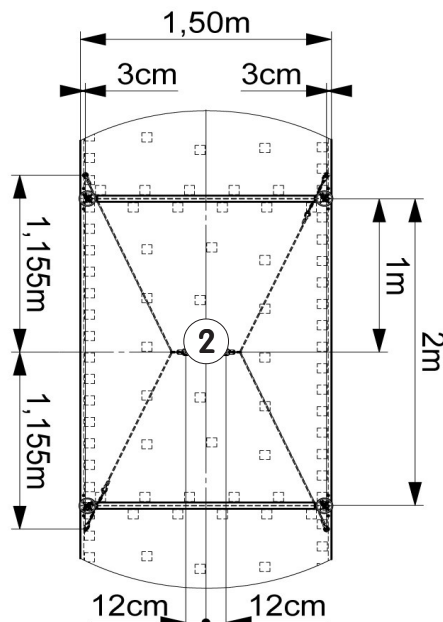


Figure 14
Center panel for 1.50 m wide track



III. Assembling the anti-rotation kit gym for exercise floors (Ref.: 6529D) (minimum of two people required):

Note: 4 stopper cables are required to immobilize an exercise floor.

1.1 - Installing stopper cables under an existing floor:

- Fold back half of the carpet in order to access the foam tracks (exercise floors ref.: 6570 and 6565), or the end of roll-up tracks (exercise floor ref.: 6574), depending on the type of exercise floor.
- Fold back the foam tracks enough to uncover both angle panels of the floor **Fig. 15**.
- Remove the floor edges so as to access the angle panels **(3)** and **(4)** (2 x 1.5 m) (see **Fig. 15** and **Fig. 16**).
- Detach each angle panel **(3)** or **(4)**, then drill one 15 mm dia. hole into the outer angle, 20 cm away from the edge (**Fig. 17**).
- Insert a screw nut **(9)** into the top of the panel **(3)** or **(4)**, then secure it using two wood screws **(10)** as shown in **Fig. 17**
- Install the bracing flat **(8)** using the fastenings **(5)**, **(6)**, and **(7)**, under each panel as shown in **Fig. 16**, at 45° as shown in **Fig. 18**, before tightening to prevent rotation.
- Install a quick link **(16)** on each bracing flat **(8)**, then insert a complete cable **(13)** (see **Fig. 20**).

Important: position the tighteners **(15)** on the easily accessible side of the exercise floor so as to provide access for maintenance.

- Repeat the above steps for the other half of the exercise floor.

1.2 - Installing stopper cables under a new floor:

- While assembling the angle panels **(3)** and **(4)**, install a quick link **(16)** on each bracing flat **(8)**, then insert a complete cable **(13)** as shown in **Fig. 20**.

Figure 15
Angle panel of the exercise floor

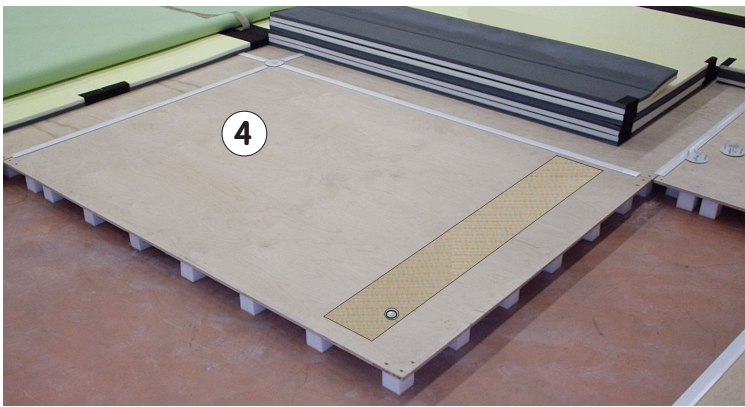


Figure 16
Complete angle of the exercise floor

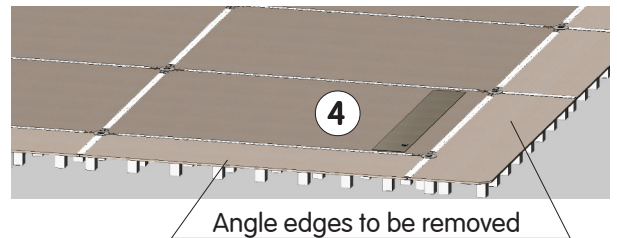


Figure 19
Direction of the bracing flat
(bottom view)

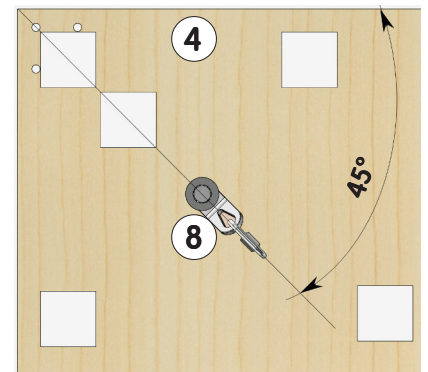


Figure 17
Outer corner of the angle panel
(top view)

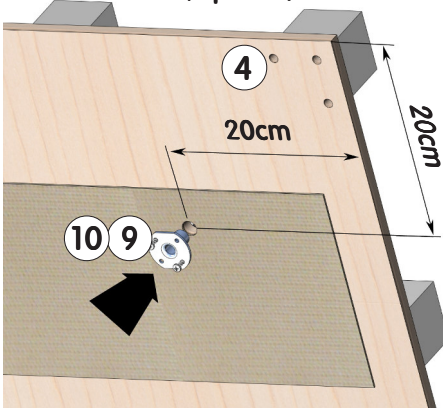


Figure 18
Outer corner of the angle panel
(bottom view)

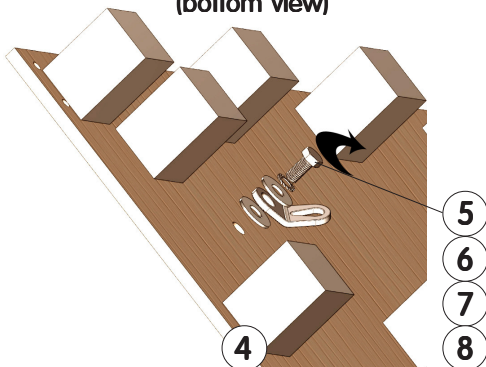
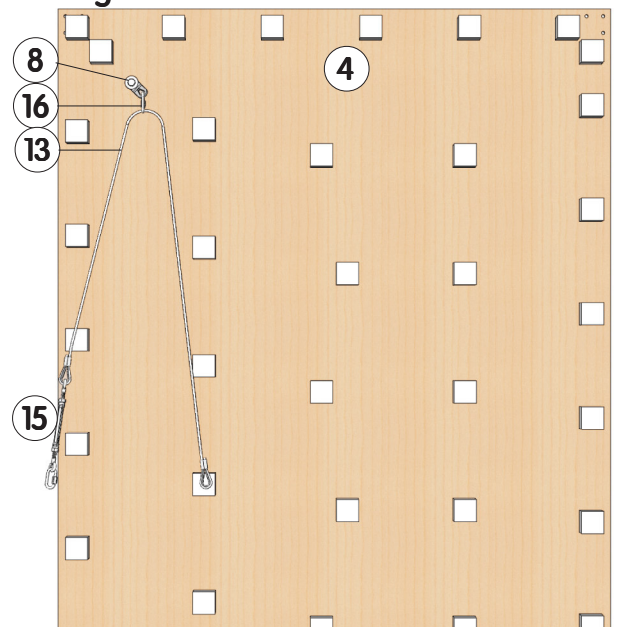


Figure 20



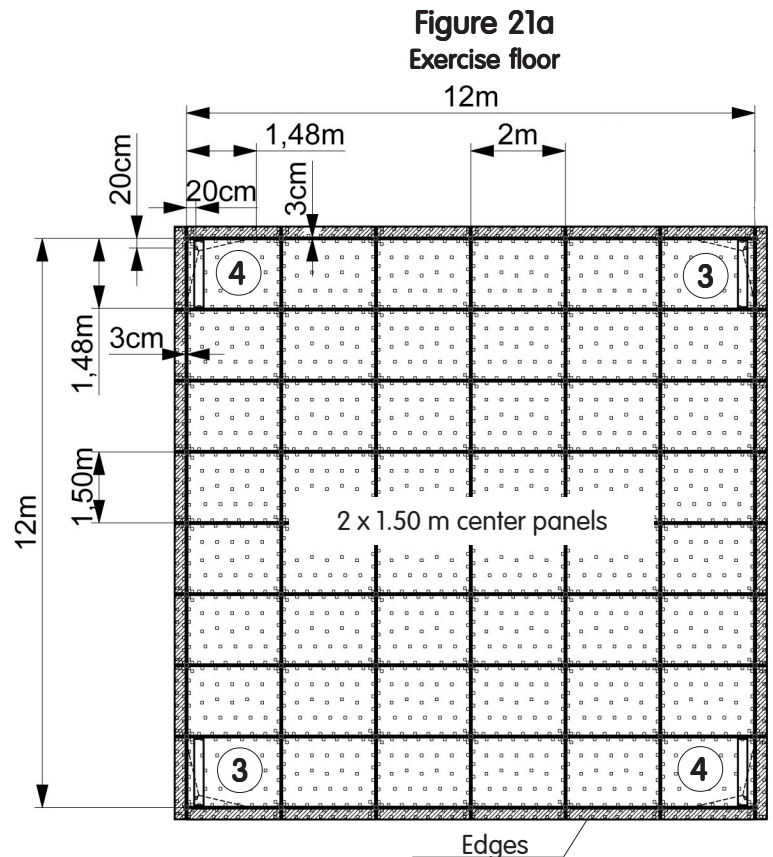
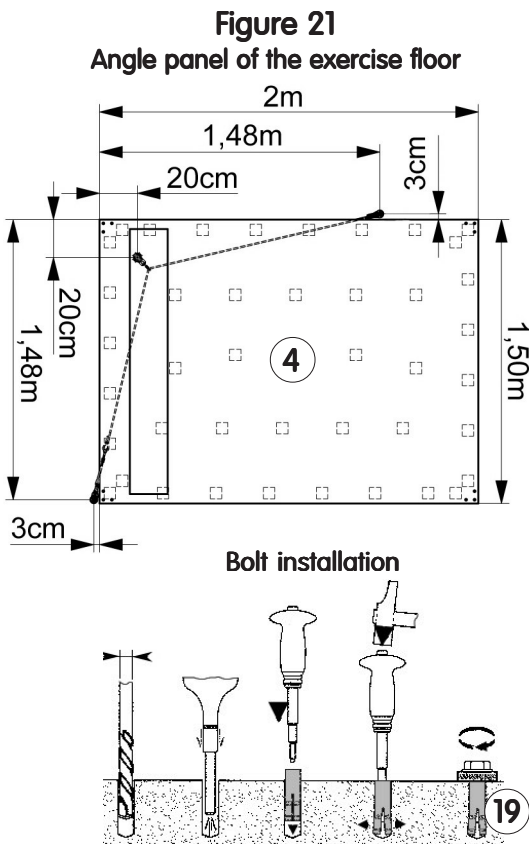
2 - Securing the floor to ground:

2.1. Preparation:

- Reinstall the angle panels (3) and (4) of the exercise floor, with the ends of the cable (13) protruding from either side of the panel (check for correct alignment with the remainder of the floor).
- Drill 12 mm dia. holes, 4.5 cm deep in the ground, at the angles of the floor, as shown by Fig. 21 and 21a.

Note: The position of cable attachment elements is the same for all gym exercise floors. Only the edge width varies.

- Carefully vacuum clean the holes before inserting the hammer-type bolts (12) provided: insert the collar, then hammer the bottom in order to secure it to the ground, using an appropriate tool (follow the steps shown below).



2.2. Fixing:

- Attach the ends of each cable, without tightening (contact with the ground), installing the fastenings in the right order (12), (11), (18) et (17) (see Fig. 22 and 23).
- Reinstall the track end panels (3) and (4) using the floor links.
- Check the alignment of all floor items.
- Tighten the cables (13) using the tighteners (15).

Note: Moderate tightening of the floor attachments allows the cables (13) to be positioned most easily when the tension is adjusted.

Figure 22

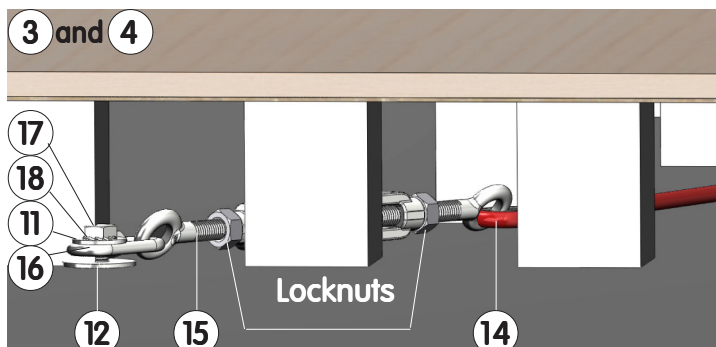
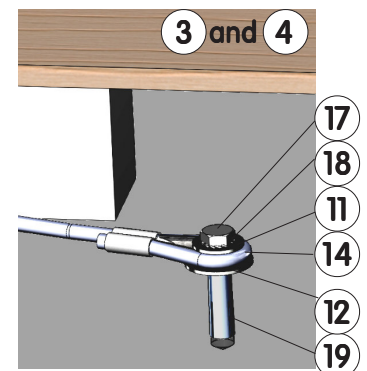


Figure 23

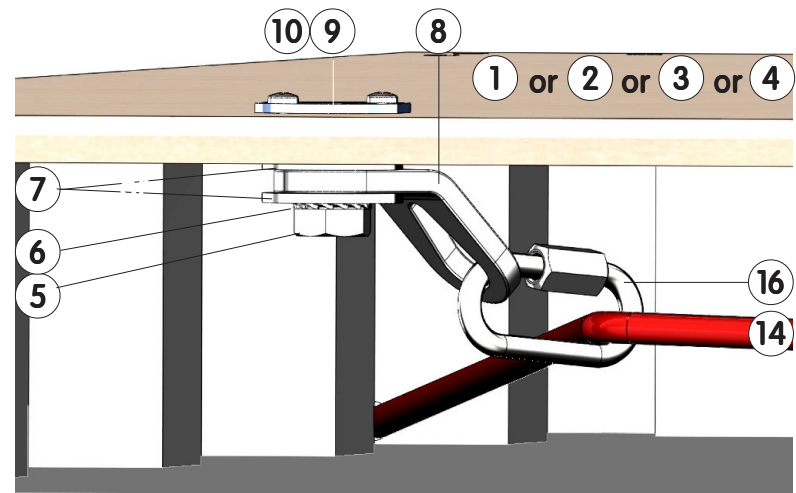
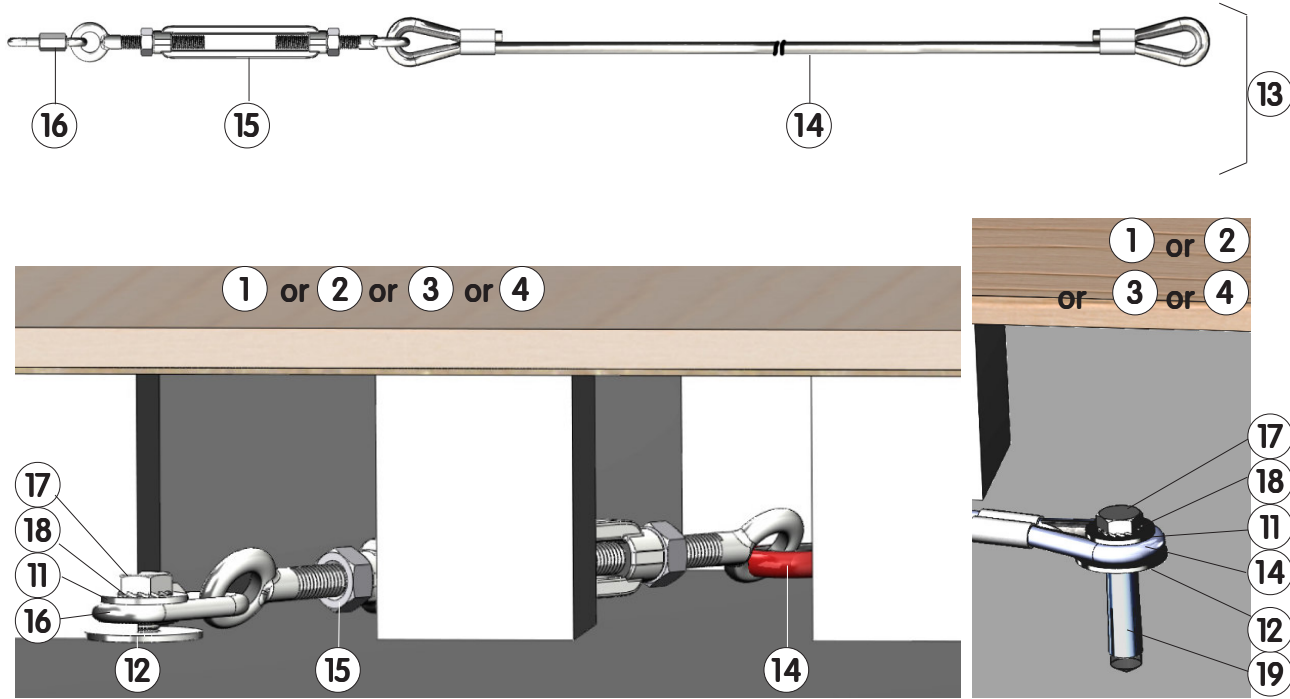


2.3. Tightening:

- To tighten the cables (13), slightly lift each angle panel (3) or (4), so as to access the tightener (15).
Screw in each tightener (15) enough, so that the cable (13) no longer rests on the ground (see Fig. 10 p4).
- Fully tighten the ground attachment elements (12), (11), (18) and (17).
Then, manually screw the tighteners (15), so that the cables (13) are fully tensioned.
Do not forget to lock the adjustment of each tightener (15), by fully tightening the locknuts with a wrench (see Fig. 12 p4).

3 - Completing the exercise floor:

- Reinstall the floor edges.
- Install the foam, then the carpet, aligned on the floor.



The quantities mentioned here apply to one stopper cable (Ref.: 6180/27). For anti-rotation kits, quantities should be multiplied:

- By «2» → Kit Ref.: 6528C
- By «4» → Kit Ref.: 6529D

30	-	-	-	-
29	-	-	-	-
28	-	-	-	-
27	-	-	-	-
26	-	-	-	-
25	-	-	-	-
24	-	-	-	-
23	-	-	-	-
22	-	-	-	-
21	-	-	-	-
20	-	-	-	-
19	2	M10 hammer-type exp. bolt	QCEC100000	Floor attachments
18	2	External tooth lock washer dia. 10 x 18	-	Floor attachments
17	2	H M10 x 30 ZP screw	-	Floor attachments
16	2	Quick link No. 6	QMRA00006Z	1 included in 13
15	1	M10 O/O turnbuckle	QTELE1010G	included in 13
14	1	5.5 dia. cable - length : 2.26 m	-	included in 13
13	1	Adjustable stopper cable	-	each
12	2	LL 10 x 36 flat washer	-	Floor attachments
11	2	L 10 x 27 flat washer	-	Floor attachments
10	2	Pan-head chipboard screw, dia. 4 x 16	-	included in 2 & 3
9	1	M12 screw nut	-	included in 2 & 3
8	1	Bracing flat	-	included in 2 & 3
7	2	L 14 x 36 flat washer	-	included in 2 & 3
6	1	External tooth lock washer dia. 12 x 20	-	included in 2 & 3
5	1	H M12 x 25 ZP screw	-	included in 2 & 3
4	-	R.H. angle panel 2 x 1.5 m	6580/52	exercise floors
3	-	L.H. corner panel 2 x 1.5 m	6580/51	exercise floors
2	-	Center panel, 2 x 1.5 m	-	tracks
1	-	End panel, 2 x 1.5 m	-	tracks
ITEM	QTY	DESCRIPTION	REFERENCE	REMARKS

GYMNOVA
RUE GASTON DE FLOTTE
13012 MARSEILLE
Tél. : 33-(0)-4-91-87-51-20
Fax : 33-(0)-4-91-93-86-89

**STOPPER CABLES AND ANTI-ROTATION
KITS FOR GYM EXERCISE FLOORS AND
ACROBATIC TRACKS
M'2012**

PAR : M. CHARBONNEAU LE : 22/05/17 NM206C-GB Ref. : 6180/27 - 6528C - 6529D

THIS DOCUMENT IS THE PROPERTY OF GYMNOVA. IT IS CONFIDENTIAL AND MUST NOT BE REPRODUCED WITHOUT PRIOR AUTHORIZATION.

To order spare parts, provide the description, part no., and delivery date of the entire apparatus.