

RETRACTABLE VAULTING TABLE ON FOLDING EXTENSIONS M'2002

3425
3426
3427

PLEASE KEEP

**Fixation between
ground and wall
(Ref.: 3425)**



**Fixation on wall
(Ref.: 3426)**



**Fixation on the
ground (Ref.: 3427)**



Take care of
precautions for
STORAGE

In case of problem,
phone to our
technical service :
+33.4.91.87.51.20

Warning :

- This equipment must be installed by a qualified person.
- This equipment must be used under the supervision of a qualified person.
- This equipment cannot be used for any other purpose than its initial purpose.

Conformity :

This equipment is in accordance with the EN 913 norm "Gymnastics equipment - Functional safety requirements and test methods".

Recommendations :

- The French norm NF S 52-400 advises :
- to preserve this sheet for ulterior needs (checking, maintenance...).
 - to make periodic preventive maintenances.
 - to make checkings once a year or more frequently according to its use.

Maintenance :

The fixings, the articulations, also the state of protection pads must be verified, before each use.

Packing detail :

Ref.	Package	3451/00 Dressed body only	3451/30 Retractable interface	3497/30 Wooden support platform	3423/00 Edge of the pit Slide M'2002	446/20 Complete folding extension	446/09 Wall fixation piece	446/30 Floor fixation Kit	2924 Folding extension Protection	2010 Chimical anchors (4)	2005 Chimical anchors (10)	Number of packages total volume & weight
3425	Retractable Table Floor / Wall Folding extension	1	1	1	1	1	1		1	1		8 1,11m ³ 106 kg
3426	Retractable Table Wall Folding extension	1	1	1	1	1	2		1			8 1,11m ³ 102 kg
3427	Retractable Table Floor Folding extension	1	1	1	1	1		1	1		1	8 1,14m ³ 113 kg
Volume & Weight per package		0,724m ³ 28 kg	0,063m ³ 7 kg	0,05m ³ 8 kg	0,05m ³ 10 kg	0,155m ³ 46 kg	0,003m ³ 1 kg	0,023m ³ 6 kg	0,064m ³ 5 kg	0,003m ³ 1 kg	0,010m ³ 3 kg	

I . FLOOR-MOUNTED FOLDING EXTENSION (REF.: 3427)

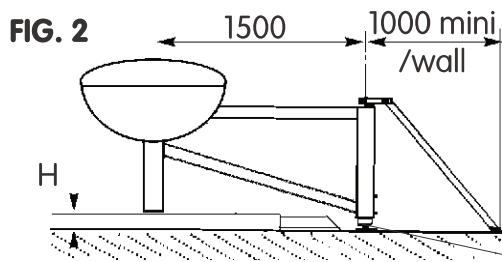
1.1. Preparing and mounting the low swivel plate (8) to the floor:

- 1 – Trace the position (P) of the slide pivot (7) on the ground, and the axes for the bracing mounts, as shown in **figure 1**.
- 2 – Drill a $\varnothing 20$ mm hole 20 mm deep (because the slide pivot (7) goes into the floor).
- 3 – Place the low pivot plate (8) in position and fix it to the ground with the 2 chemical plugs supplied.

1.2. Fitting and adjusting the extension (6):

- 1 – Thread the slide pivot (7) into the low pivot plate (8) with a $\varnothing 20$ washer in between (5).
- 2 – Lock the extension (6) at height "H" shown in the table given with **figure 2**.
- 3 – Loosen the screws (25) locking the pivot slide (7) and extend it until the extension is at the right level, then lock it in place with the screws (25).
- 4 – Fix the upper pivot plate (10) and 2 struts (11) as shown in **figure 3** (stay plates (26) towards the outside).
- 5 – Position the bracing mounts (11) on the floor (along the axes previously marked) and fit the chemical anchorages.
- 6 – Adjust the level of the extension (6) by tightening or loosening the adjustments (15) and (16) at the end of the bracing struts (11), then lock them.

$$H_{\text{(wedging/floor)}} = h_{\text{(track or pit)}} + 20\text{mm}$$



	$h_{\text{(track or pit)}}$	$H_{\text{(wedging/floor)}}$
Evolution track	40 mm	60 mm
Acrobatic track or exercise floor	140 mm	160 mm
Landing pit or tumbling	200 mm	250 mm

Warning: for an acrobatic track with pit, the body of the vaulting table is actually **10 cm higher than the graduation on the foot.**

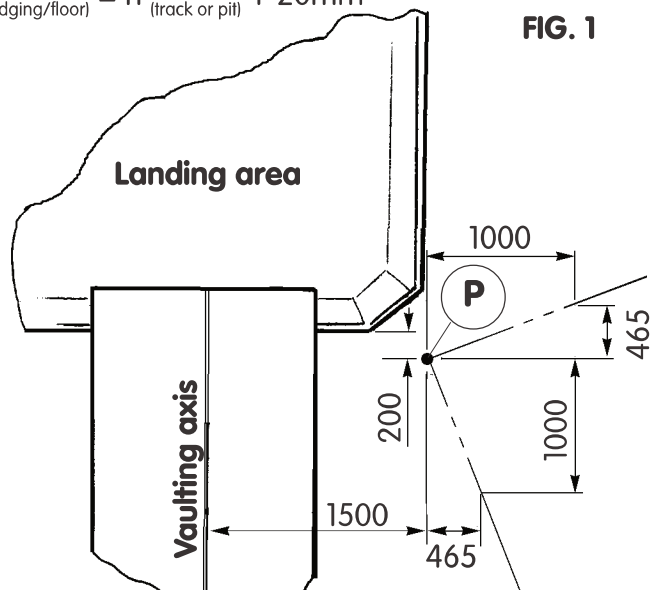
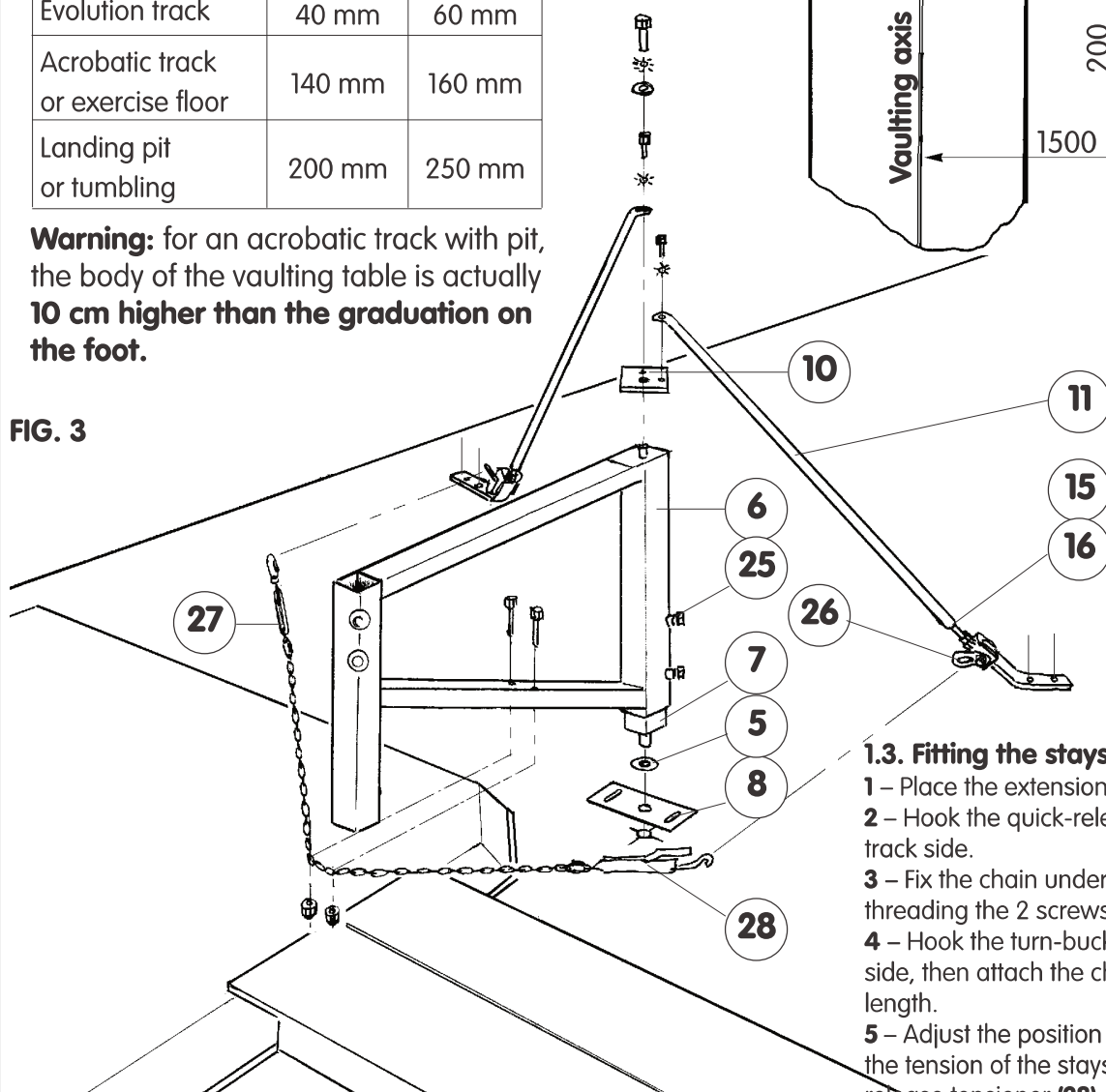


FIG. 3



1.3. Fitting the stays (9):

- 1 – Place the extension (6) in operating position.
- 2 – Hook the quick-release tensioner (28) on the track side.
- 3 – Fix the chain under the extension (6) threading the 2 screws (18) through its links.
- 4 – Hook the turn-buckle tie (27) on the other side, then attach the chain to it, adjusting its length.
- 5 – Adjust the position of the extension and set the tension of the stays (9) using the quick-release tensioner (28) and the turn-buckle tie (27).

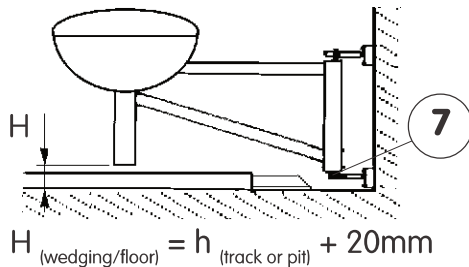
Warning: Do not tension the stays with the quick-release tensioner open.

II . WALL MOUNTED FOLDING EXTENSION (REF.: 3426)

2.1. Preparing and mounting the wall plates (14):

- 1 – Trace a vertical line on the wall as shown in **figure 4**.
- 2 – To position the top plate at height "A", take height "H" as shown in the table in **figure 5** (Check that the wall is perpendicular: can lock the verticality of the 2 plates).
- 3 – Deduce the position of the low plate at height "B" : it must be placed as low as possible (on the floor if possible).
- 4 – Trace the position of the stay anchorages, height "C" shown in **figure 4**.
- 5 – Fix the 2 plates (14) and the 2 stay plates (26) with the expansion bolts provided.

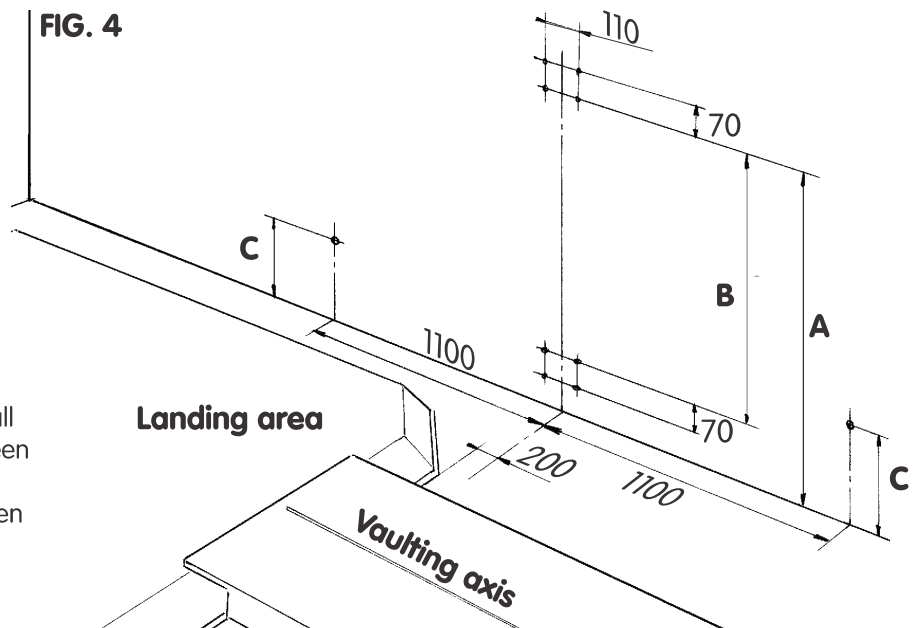
FIG. 5



	$h_{(\text{track or pit})}$	$H_{(\text{wedging/floor})}$	A _(top plate)	B _(low plate)	C _(stay)
Evolution track	40 mm	100 mm	785 mm	700 mm mini.	300 mm
Acrobatic track or exercise floor	140 mm	160 mm	845 mm	900 mm maxi.	400 mm
Landing pit or tumbling	200 mm	250 mm	935 mm	900 mm maxi.	460 mm

Warning: for an acrobatic track with pit, the body of the vaulting table is actually **10 cm higher than the graduation on the foot.**

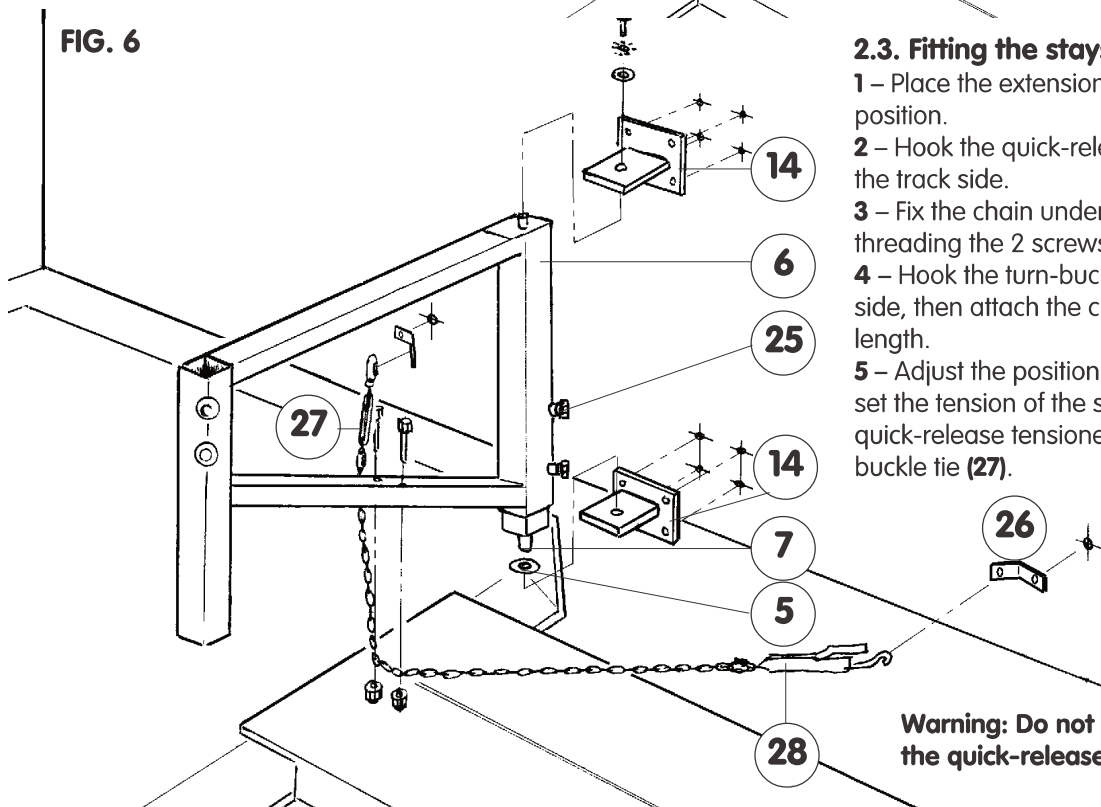
FIG. 4



2.2. Mounting and adjusting the extension (6):

- 1 – Slide the extension (6) between the wall plates (14) with a $\varnothing 20$ washer (5) in between at the bottom as shown in **figure 6**.
- 2 – Adjust the whole extension, then tighten the screws (25) locking the pivot slide (7).
- 3 – Fix the top of the extension (6).

FIG. 6



2.3. Fitting the stays (9):

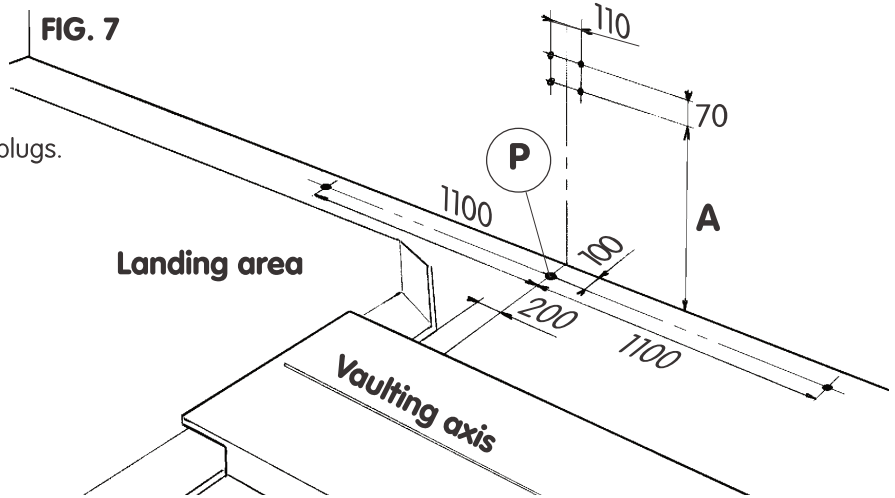
- 1 – Place the extension (6) in operating position.
- 2 – Hook the quick-release tensioner (28) on the track side.
- 3 – Fix the chain under the extension (6) threading the 2 screws (18) through its links.
- 4 – Hook the turn-buckle tie (27) on the other side, then attach the chain to it, adjusting its length.
- 5 – Adjust the position of the extension and set the tension of the stays (9) using the quick-release tensioner (28) and the turn-buckle tie (27).

Warning: Do not tension the stays with the quick-release tensioner open.

III . FLOOR/WALL MOUNTED FOLDING EXTENSION (REF.: 3425)

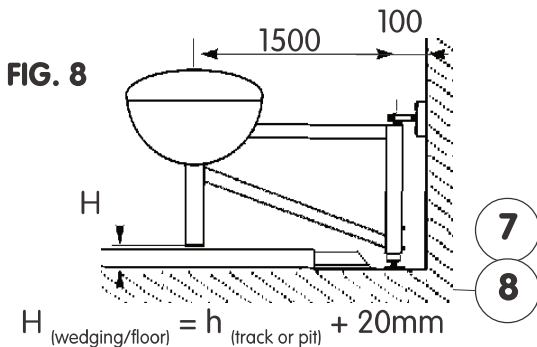
3.1. Preparing and fastening the low pivot (8) to the floor and the wall plate (14):

- 1 – Trace the position (P) of the slide pivot (7) on the floor as shown in figures 7 and 8 (Make sure the wall is perpendicular: 100 mm offset from the line of the top plate).
- 2 – Drill a \varnothing 20 mm hole 20 mm deep (because the slide pivot (7) goes into the floor).
- 3 – Place the low pivot (8) in position and fix it to the floor using the 2 chemical plugs provided.
- 4 – Draw a vertical line on the wall as shown in figure 7.
- 5 – To position the plate at height "A", use height "H" given in the table in figure 8.
- 6 – Draw the position of the stay mounts as shown in figure 7.
- 7 – Fix the plate (14) with the expansion bolts provided.
- 8 – Fix the stay plates (26) with 2 chemical plugs.



3.2. Mounting and adjusting the extension (6):

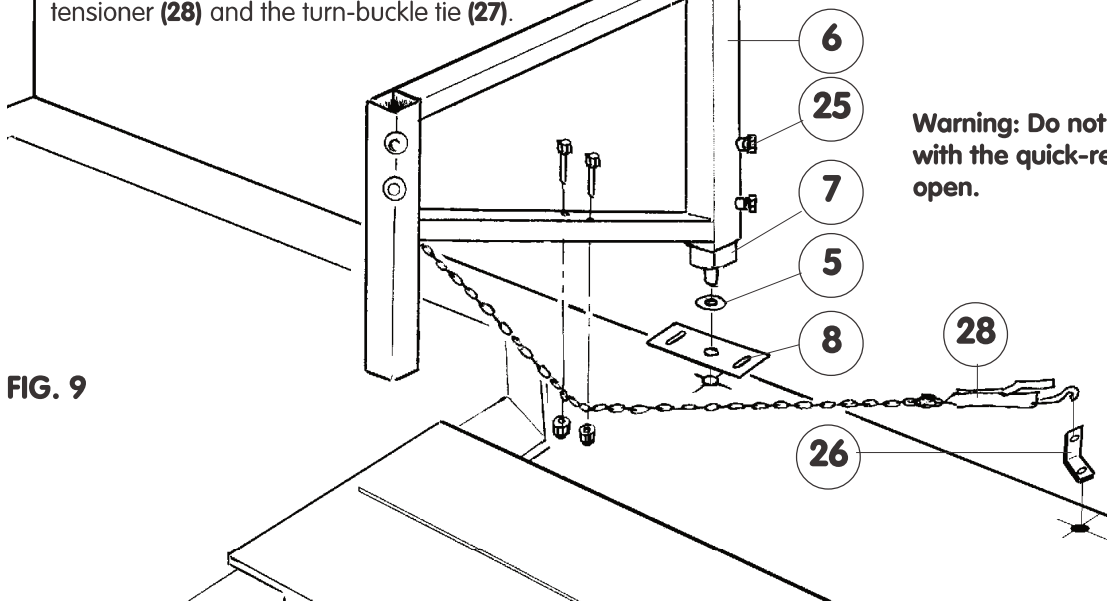
- 1 – Slide the extension (6) pivot (7) in the low pivot (8) with a \varnothing 20 washer (5) in between as shown in figure 9.
- 2 – Adjust the extension, then tighten the screws (25) locking the pivot slide (7).
- 3 – Fix the top of the extension (6).



	$h_{\text{(track or pit)}}$	$H_{\text{(wedging/floor)}}$	$A_{\text{(top plate)}}$
Evolution track	40 mm	60 mm	745 mm
Acrobatic track or exercise floor	140 mm	160 mm	845 mm
Landing pit or tumbling	200 mm	250 mm	935 mm

3.3. Fitting the stays (9):

- 1 – Place the extension (6) in operating position.
- 2 – Hook the quick-release tensioner (28) on the track side.
- 3 – Fix the chain under the extension (6) threading the 2 screws (18) through its links.
- 4 – Hook the turn-buckle tie (27) on the other side, then attach the chain to it, adjusting its length.
- 5 – Adjust the position of the extension and set the tension of the stays (9) using the quick-release tensioner (28) and the turn-buckle tie (27).



Warning: for an acrobatic track with pit, the body of the vaulting table is actually **10 cm higher than the graduation on the foot.**

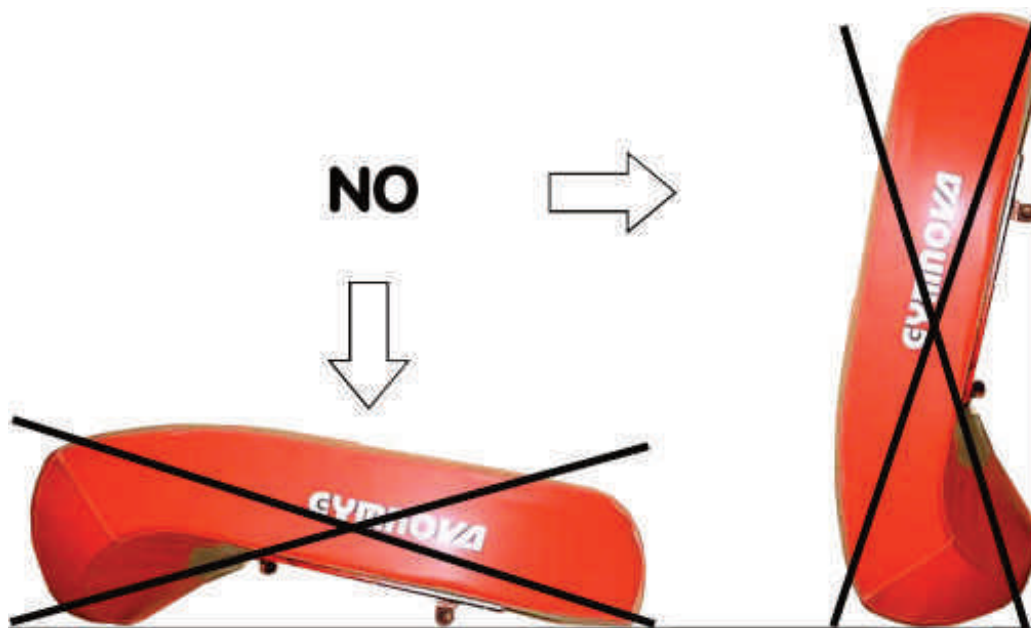
Warning: Do not tension the stays with the quick-release tensioner open.

Precautions for storing the Table

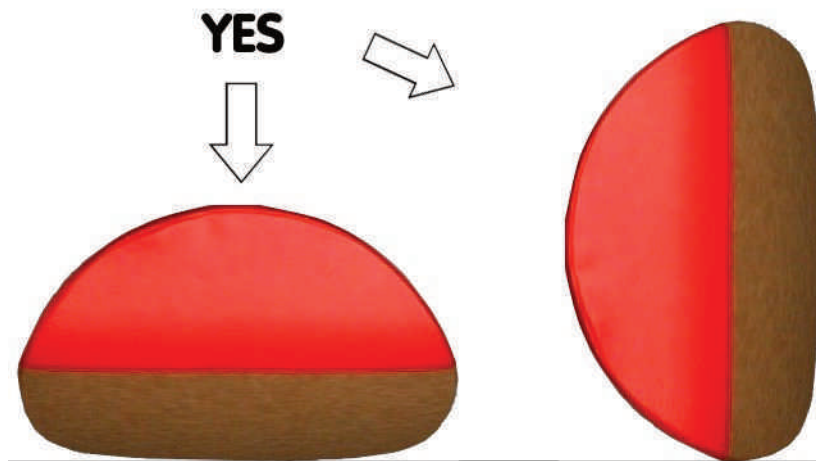
It is essential not to put anything on the body: its dynamic structure (internal) and the curve of the take-off zone (external) could be irreversibly damaged
(Do not sit on it either !!!).

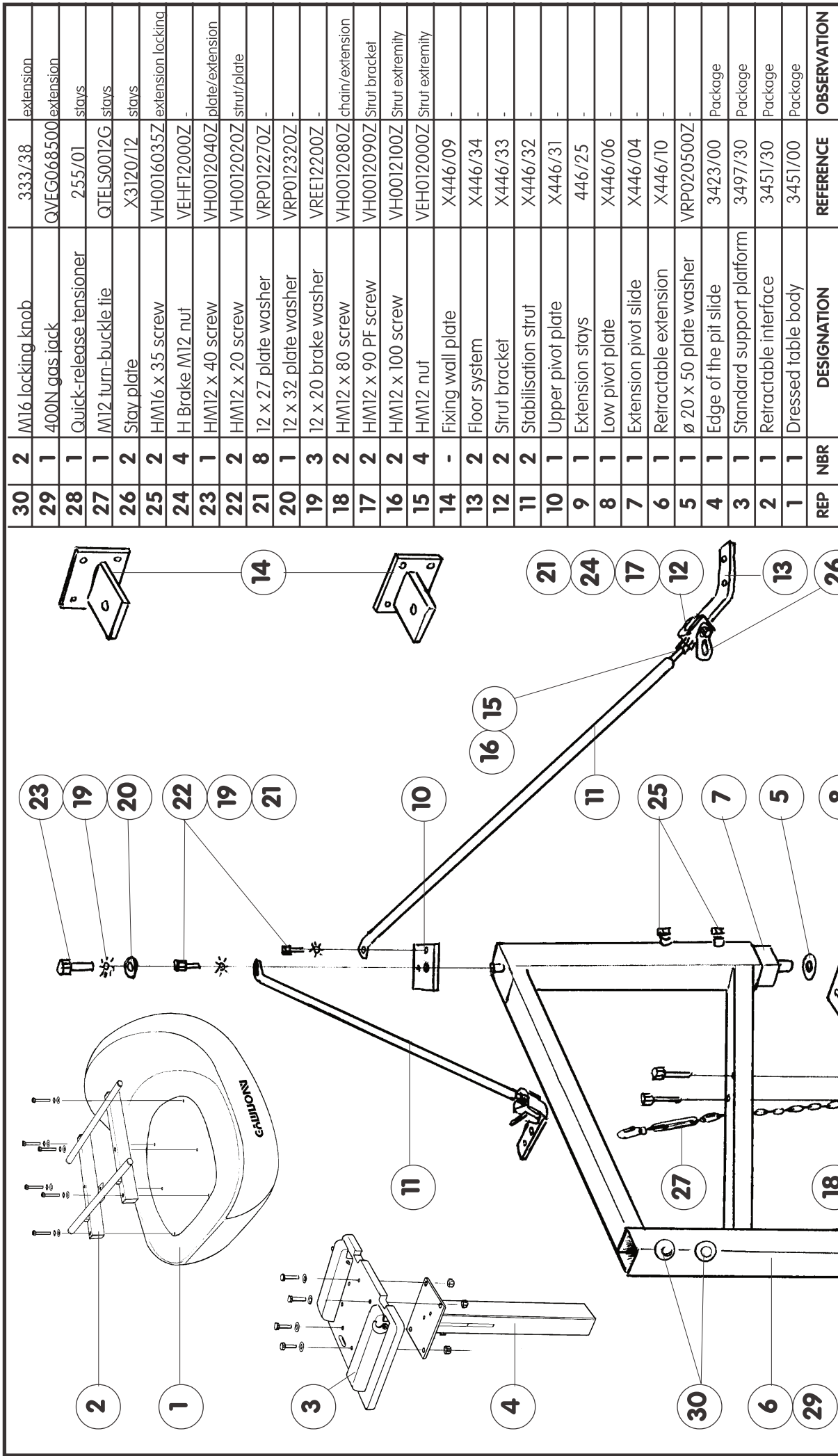
When it is **dismantled**:

- Never lay it on the front tip,



- Store it preferably upside down or on its side.





REP	NBR	DESIGNATION	REFERENCE	OBSERVATION
30	2	M16 locking knob	333/38	extension
29	1	400N gas jack	QVEG068500	extension
28	1	Quick-release tensioner	255/01	stays
27	1	M12 turn-buckle tie	QTELS0012G	stays
26	2	Stay plate	X3120/12	stays
25	2	HM16 x 35 screw	VH0016035Z	extension locking
24	4	H Brake M12 nut	VEHF12000Z	-
23	1	HM12 x 40 screw	VH0012040Z	plate/extension
22	2	HM12 x 20 screw	VH0012020Z	strut/plate
21	8	12 x 27 plate washer	VRP012270Z	-
20	1	12 x 32 plate washer	VRP012320Z	-
19	3	12 x 20 brake washer	VREE12200Z	-
18	2	HM12 x 80 screw	VH0012080Z	chain/extension
17	2	HM12 x 90 PF screw	VH0012090Z	Strut bracket
16	2	HM12 x 100 screw	VH0012100Z	Strut extremity
15	4	HM12 nut	VEH012000Z	Strut extremity
14	-	Fixing wall plate	X446/09	-
13	2	Floor system	X446/34	-
12	2	Strut bracket	X446/33	-
11	2	Stabilisation strut	X446/32	-
10	1	Upper pivot plate	X446/31	-
9	1	Extension stays	446/25	-
8	1	Low pivot plate	X446/06	-
7	1	Extension pivot slide	X446/04	-
6	1	Retractable extension	X446/10	-
5	1	ø 20 x 50 plate washer	VRP020500Z	-
4	1	Edge of the pit slide	3423/00	Package
3	1	Standard support platform	3497/30	Package
2	1	Retractable interface	3451/30	Package
1	1	Dressed table body	3451/00	Package

GYMNOVA
 CS 30056 - 45 RUE GASTON DE FLOTTE
 13012 MARSEILLE CEDEX 12 (FRANCE)
 TEL 33 (0) 4 91 87 51 20 - FAX 33 (0) 4 91 93 86 89
 www.gymnova.com - info@gymnova.com

**RETRACTABLE VAULTING TABLE
 ON FOLDING EXTENSIONS
 M'2002**

PAR : JB
 LE : 15/01/03
 CE DOCUMENT EST LA PROPRIETE DE GYMNOVA. IL EST CONFIDENTIEL ET NE PEUT ETRE REPRODUIT SANS NOTRE ACCORD
 Ref: 3425-...

When ordering spare parts, please quote the name, the reference and the date of delivery of the complete equipment.