

# FIXED VAULTING TABLES M'17

3401C - 3402A  
3403C - 3404A  
3416A - 3454  
3455

KEEP THIS DOCUMENT



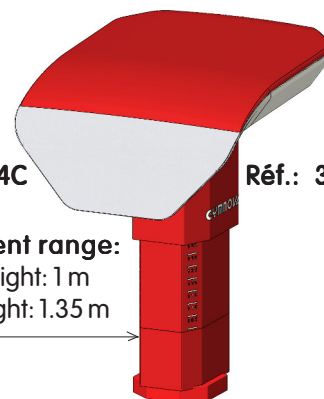
Réf.: 3455

**Adjustment range:**  
Min. height: 0.95 m  
Max. height: 1.45 m



Réf.: 3404C

**Adjustment range:**  
Min. height: 1 m  
Max. height: 1.35 m



Réf.: 3416C

### Warning:

This equipment should be installed by a qualified individual.

This equipment should only be used by one person at a time, under the supervision of a qualified individual.

Using this equipment for purposes other than those originally intended is prohibited.

### Compliance:

This equipment complies with the safety requirements of European standard EN 913 «Gymnastic equipment - General safety requirements and test methods». The vaulting table **Ref.: 3404A** is **F.I.G. approved**

### Recommendations:

As set out in French Standard NF S52-400 the following is recommended:

- keep these instructions for subsequent reference (inspection, maintenance, etc.).
- periodically carry out predictive maintenance.
- depending on how much it is used have the equipment serviced yearly or every few years.

### Usage:

The vaulting table body with the standard interface **Ref.: 3454** may be fitted to:

- a central leg **Ref. 3401C**
- a pit edge central leg **Ref. 3403C**
- a central leg **3405/70**

The vaulting table body with the standard interface **Ref.: 3454** may be installed in place of the vaulting table body **Réf.: 3451**.

For greater stability, the vaulting tables **Ref.: 3404A, 3416A & 3455** are equipped with a ground anchoring system.

### Pack list:

Colis Réf.	3454/00 Covered body only	3454/20 Complete interface	3401/50 Central leg base	3403/10 Pit edge base	345/30 Pair of standard leg bases	3401/60 Central leg + sliding tube	3450/40 Upright+sliding tube for std.legs	3402A Central leg guard	2006/10 150-ml cartr. + bedding	No. of Pack.
<b>3454</b> Complete body M'17	1	1	-	-	-	-	-	-	-	2
<b>3404A</b> Vaulting table Central leg M'17	1	1	1	-	-	1	-	1	-	5
<b>3401C</b> Complete central leg	-	-	1	-	-	1	-	-	-	2
<b>3416A</b> Vaulting table Pit edge leg M'17	1	1	-	1	-	1	-	1	1	6
<b>3403C</b> Pit edge central leg	-	-	-	1	-	1	-	-	-	2
<b>3455</b> Vaulting table Standard legs M'17	1	1	-	-	1	-	2	-	-	5
<b>Volume (m³)</b> <b>Masse (kg)</b> <b>Dimensions (mm)</b>	0.56 32 1250x960x470	0.02 15 640x440x80	0.08 22 1140x930x80	0.01 9.8 350x330x120	0.02 13.7 1030x170x110	0.06 27 740x290x270	0.03 13.1 780x250x180	0.13 5.1 670x360x540	0.003 0.3 300x100x100	

### Tools required:

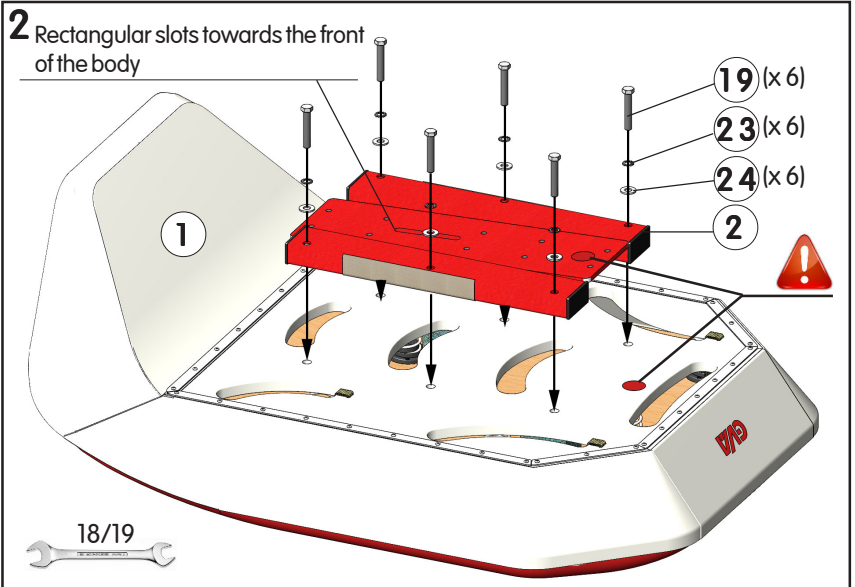
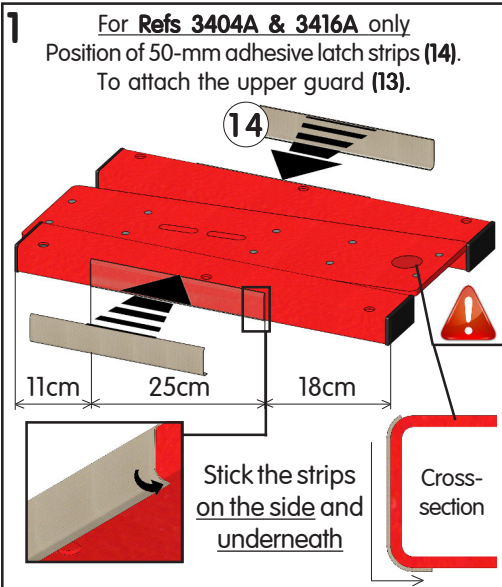
- 2 open end spanners no. 13 / 1 open end spanner no. 14  
1 open end spanner no. 18 / 1 open end spanner no. 19

- 1 tube spanner no. 18  
1 tube spanner no. 19

- 1 Allen key no. 5  
1 Allen key no. 10

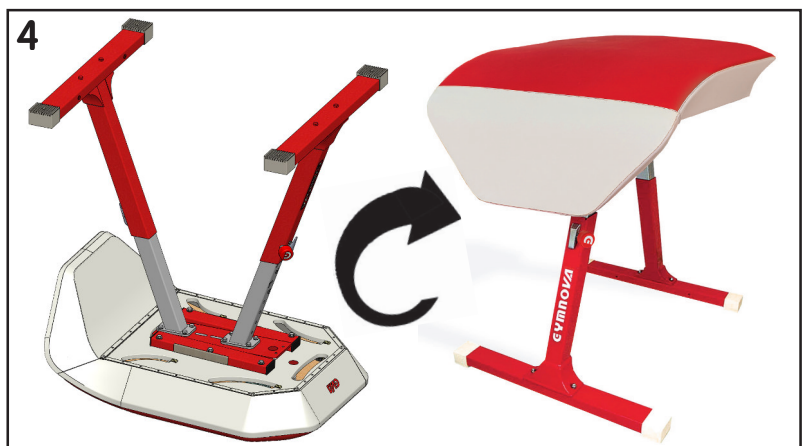
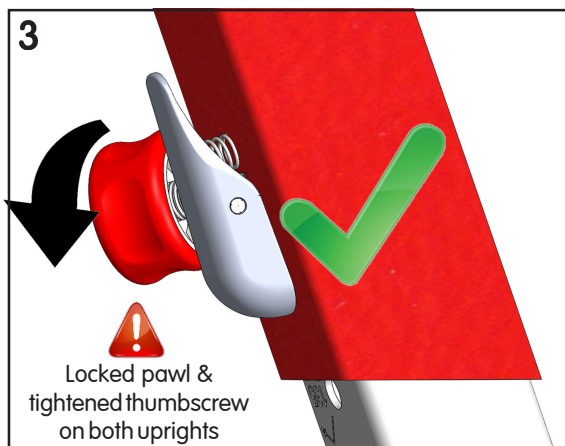
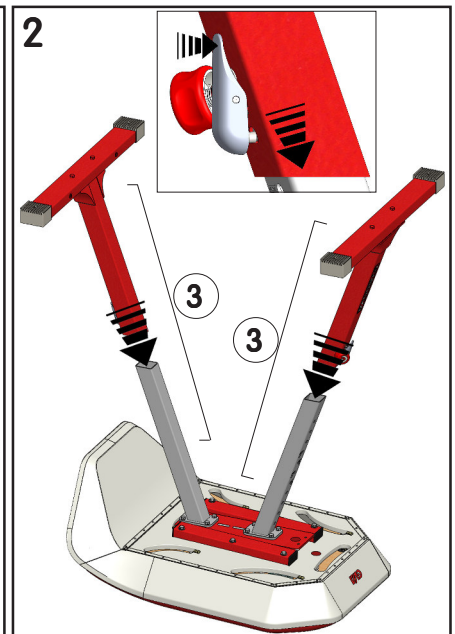
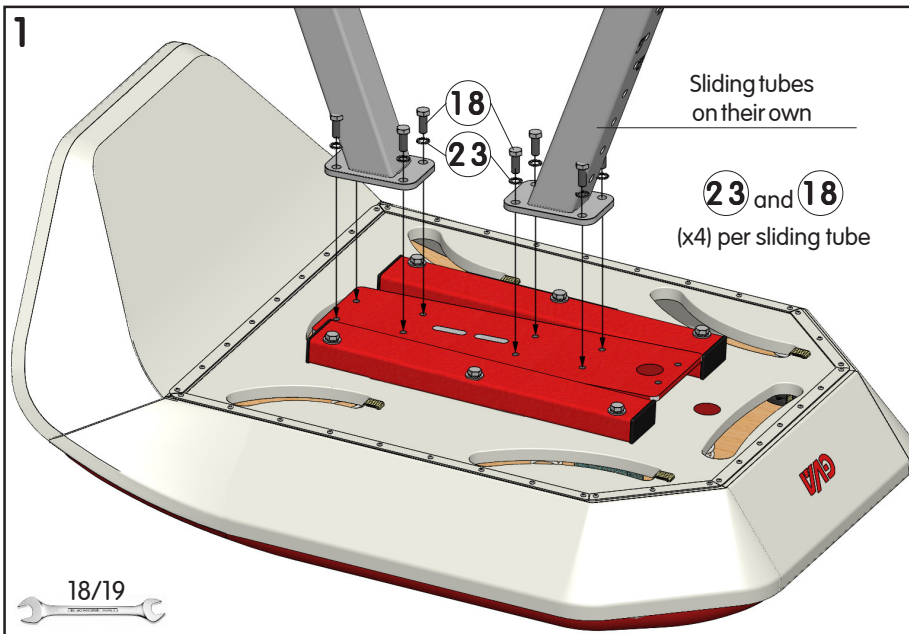


## I. Assembling the interface to the body (Ref.: 3454)

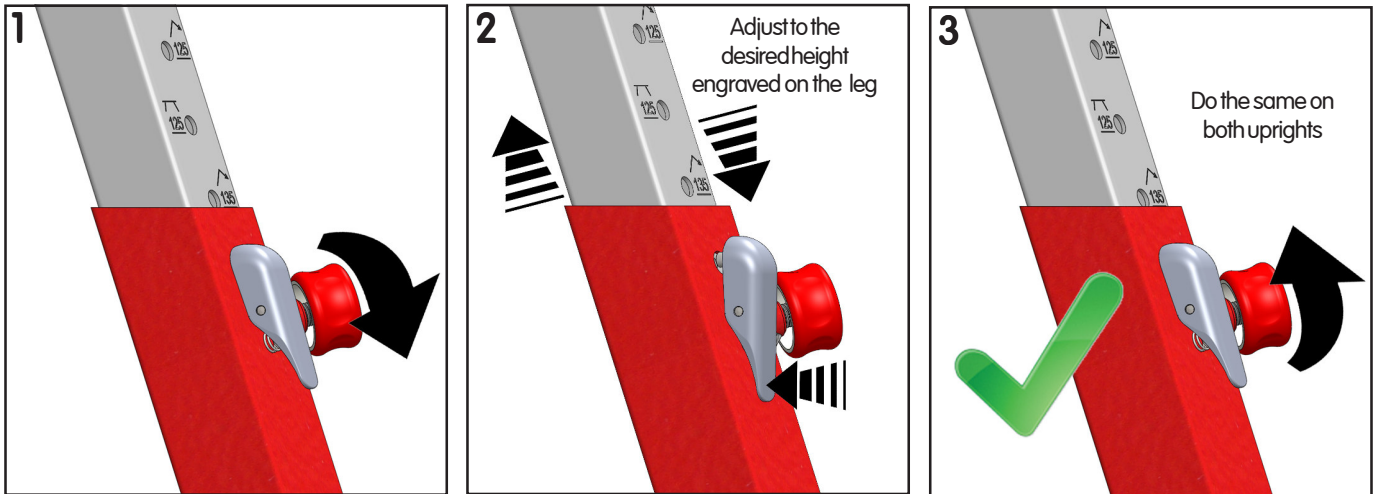


## II. Assembling standard legs to the body (Ref.: 3455): minimum.

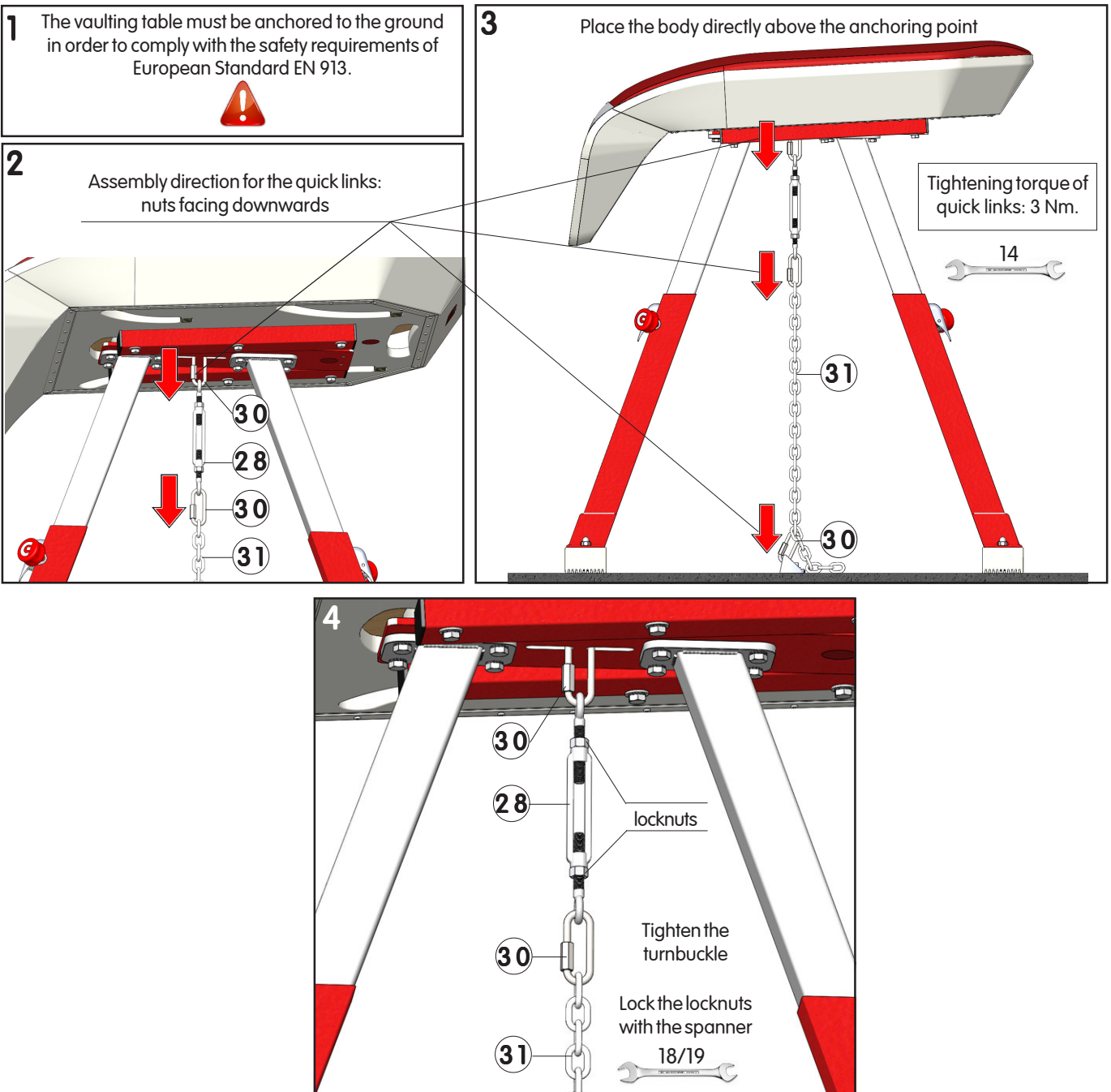
To assemble the legs, see the NM02.



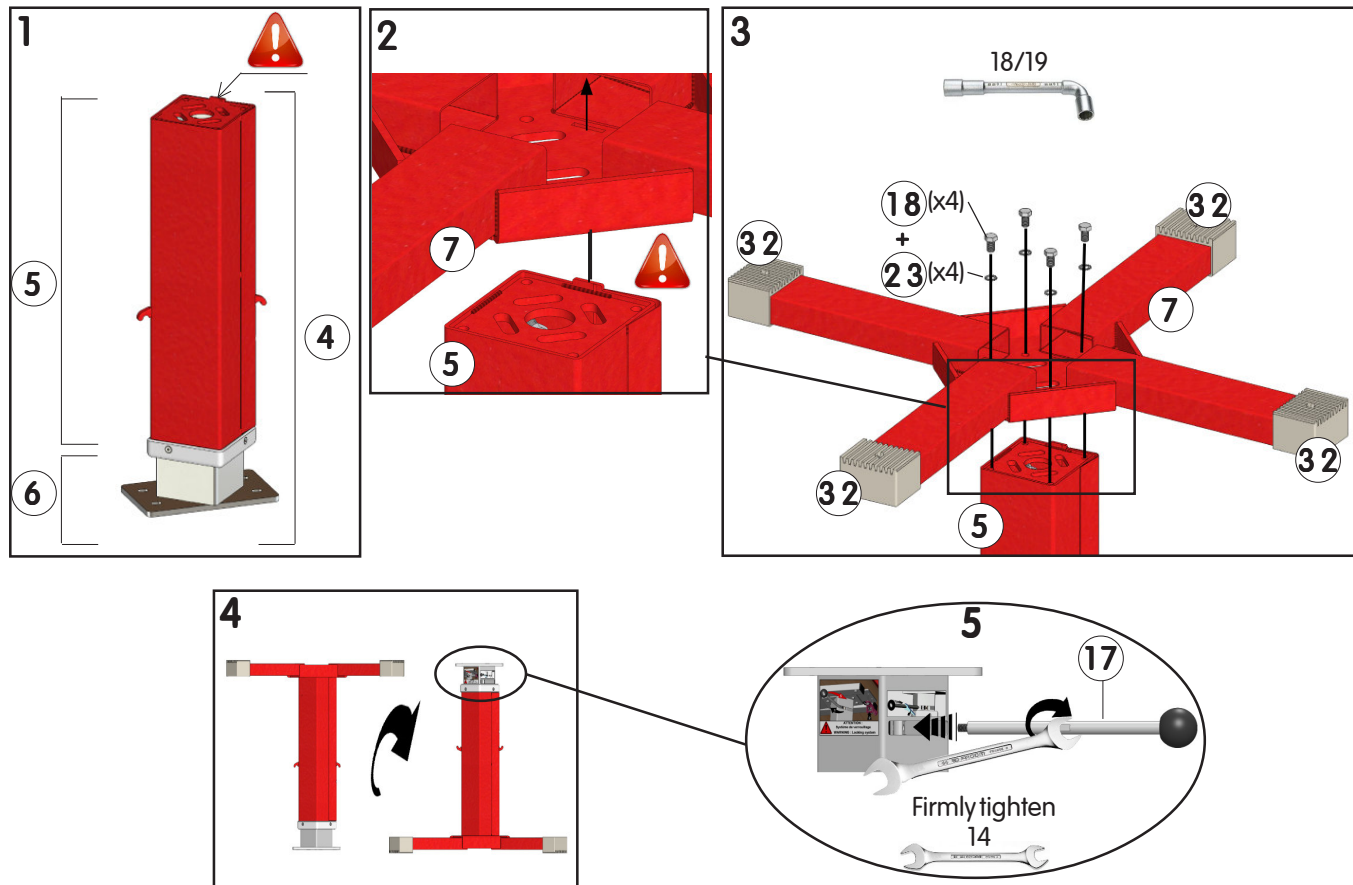
### III. Adjustment heights of the vaulting table on standard legs (Ref.: 3455)



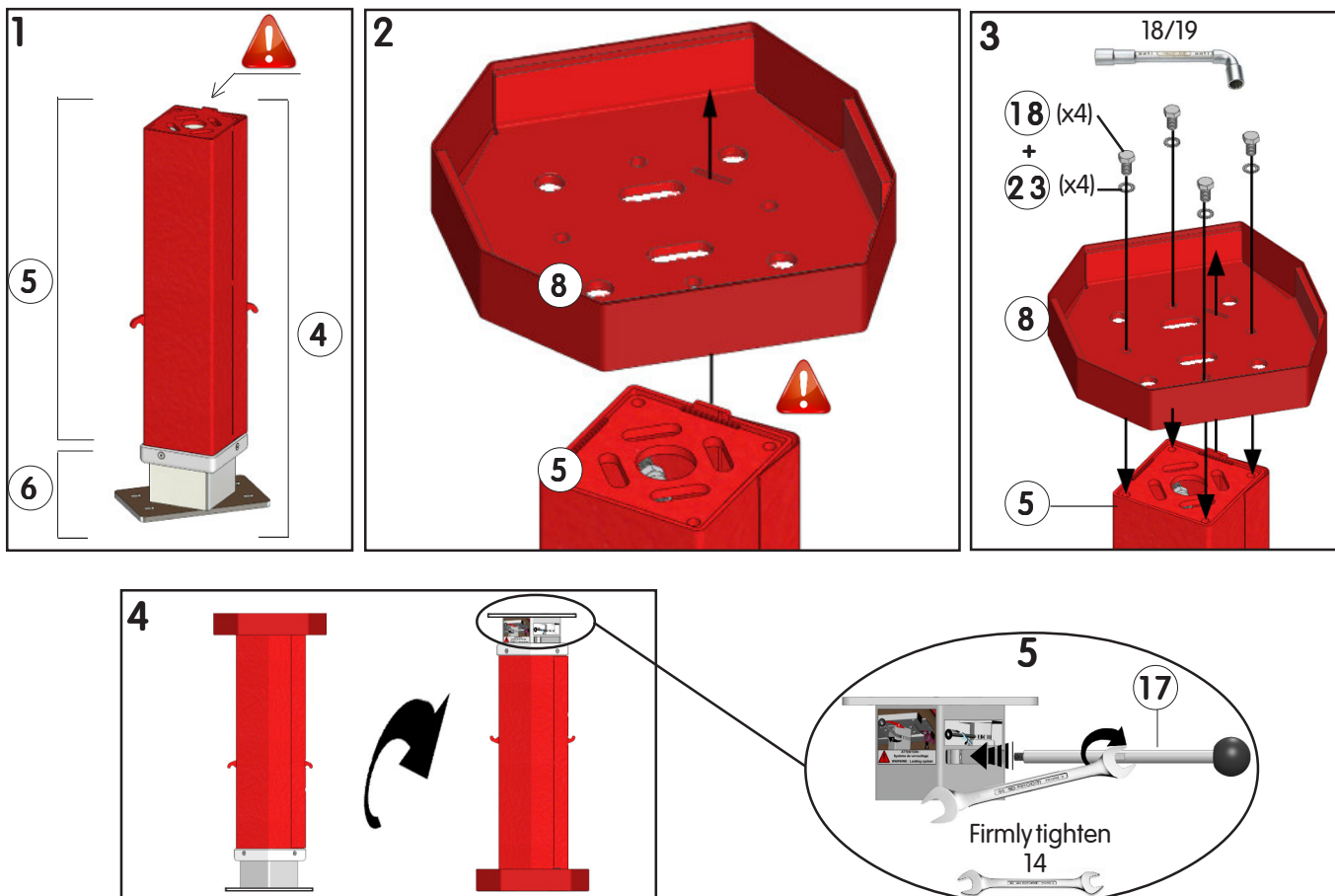
### IV. Assembling the ground anchoring system to standard legs (Ref.: 3455)




V. Assembling the central leg of the vaulting table to the base (Ref.: 3401C):  minimum.

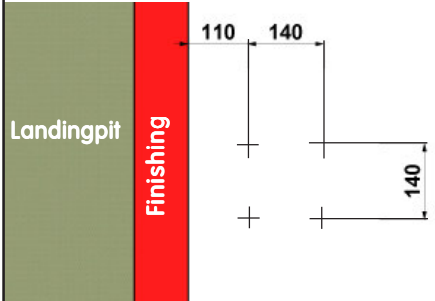


VI. Assembling the central leg of the pit edge vaulting table (Ref.: 3403C):  minimum.

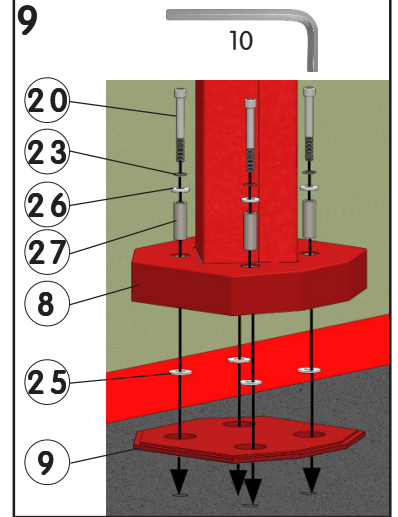
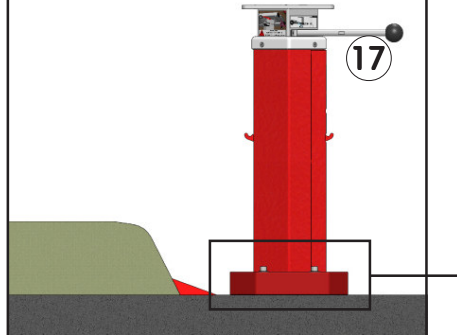


**6**  To install the anchors, see **NM249** and make sure the floor structure is strong enough to withstand the forces stated in specification **CC77**.

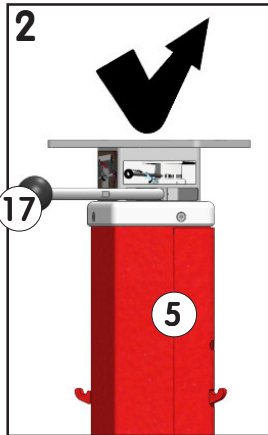
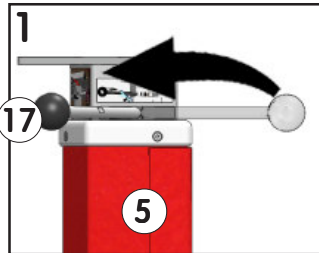
**7**  
Plot and drill the floor attachments according to the dimensions below.




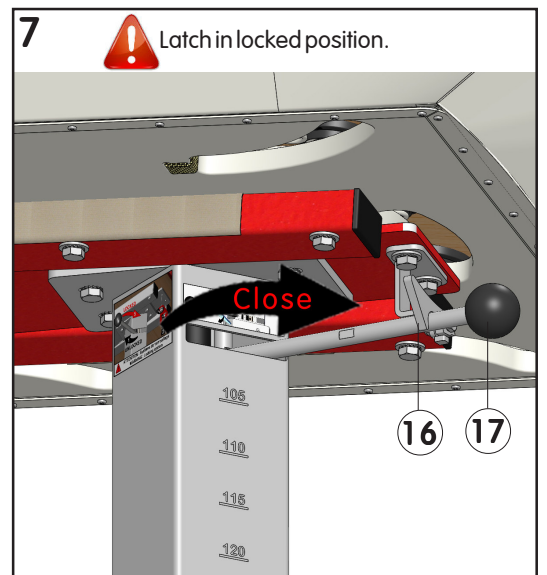
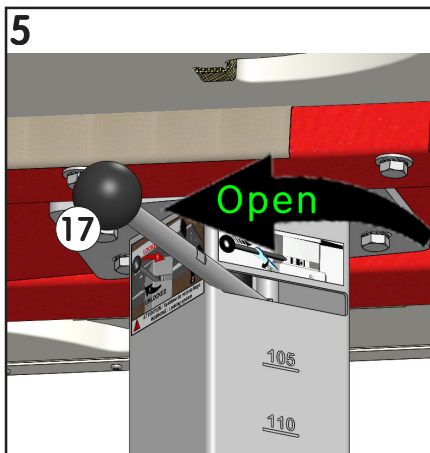
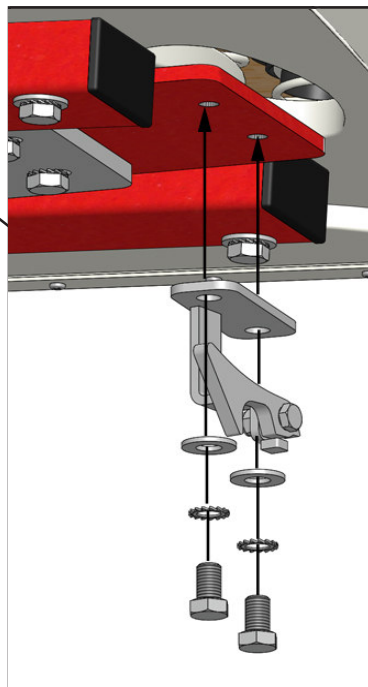
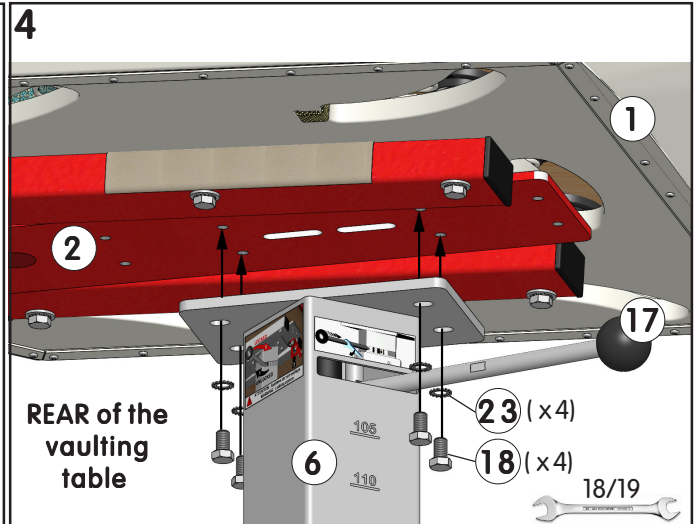
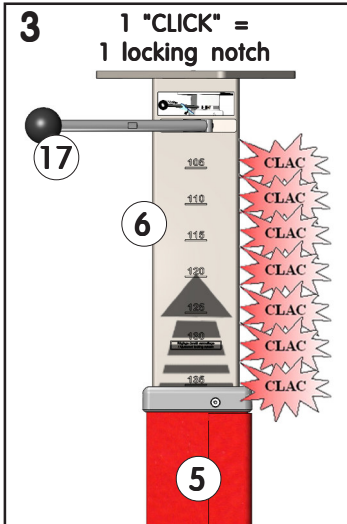
**8**  
**Take care with the assembly direction: lever (12) pointing towards the run-up track**



**VII. Assembling the body and the locking system to the central leg of the vaulting table**  
(Ref.: 3401C & 3403C):  minimum.

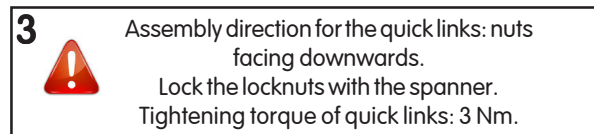
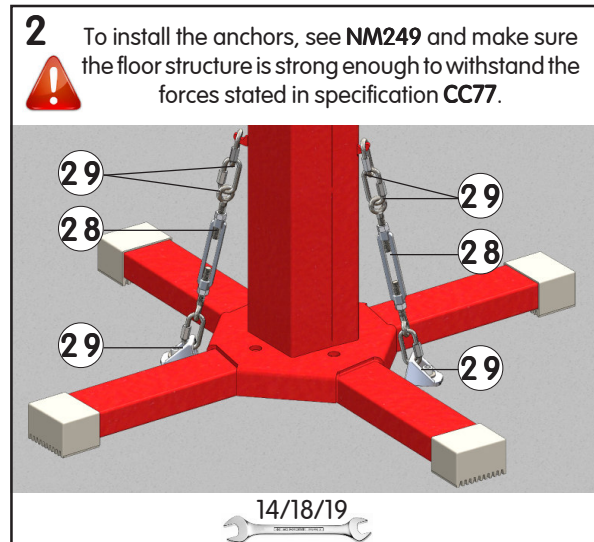
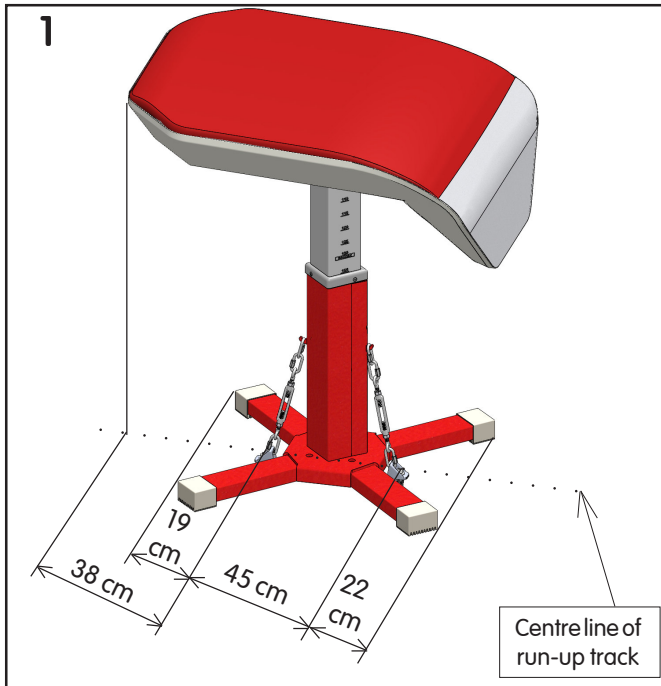


 Latch (16) facing out towards the lever (17).

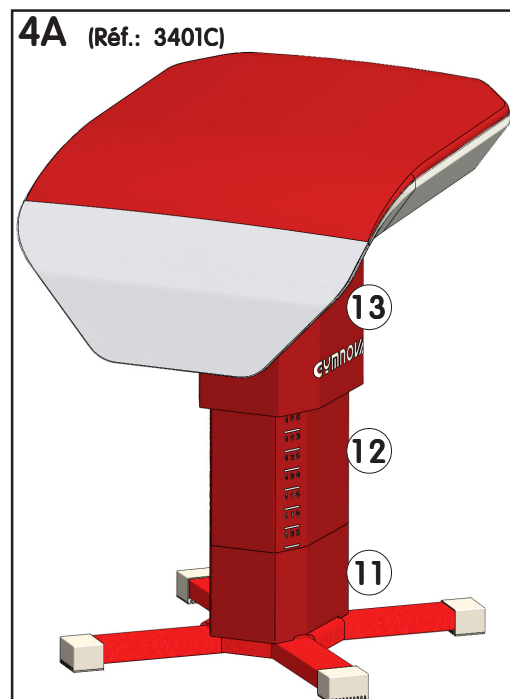
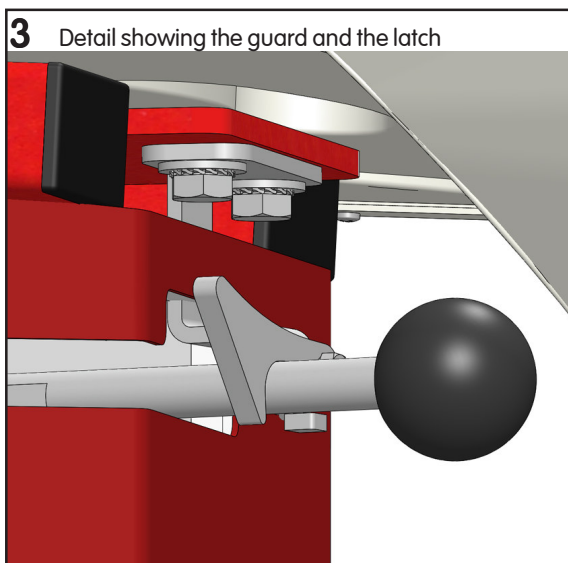
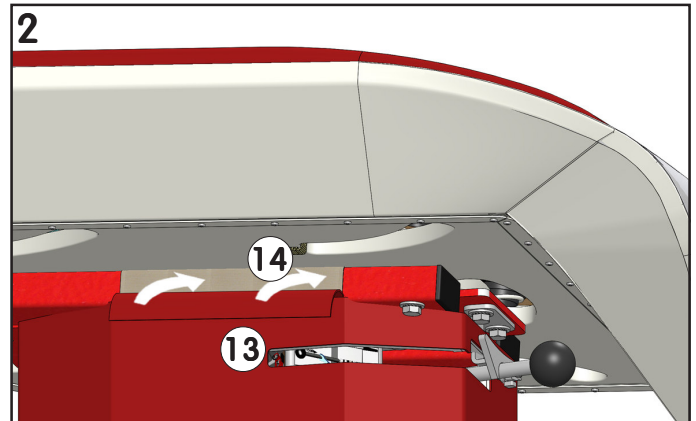
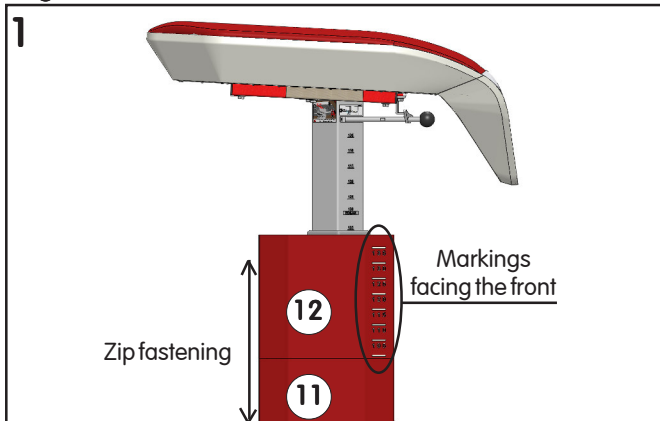


## VIII. Assembling the anchoring system (Ref.: 3401C)

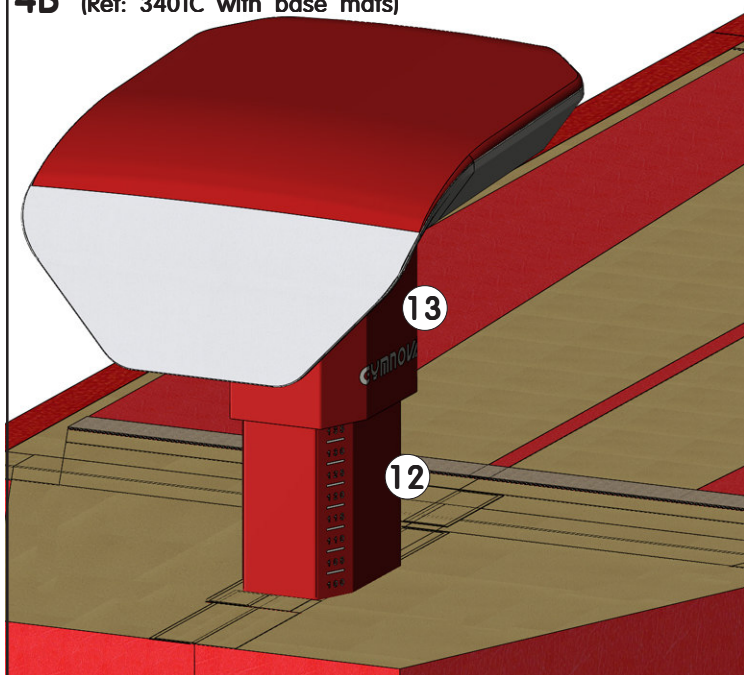
The vaulting table must be anchored to the ground in order to comply with the safety requirements of European Standard EN 913 and the F.I.G.



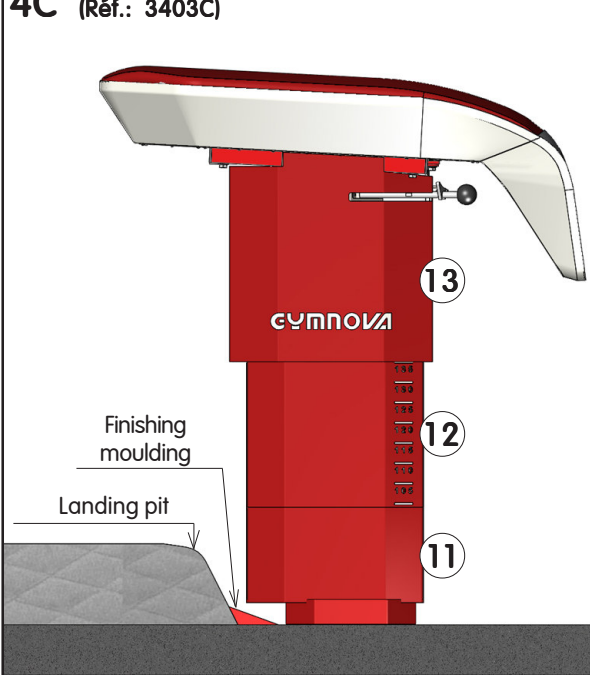
## IX. Assembling the central leg guard of the vaulting table (Ref.: 3402A, compatible with legs Refs.: 3401C & 3403C):



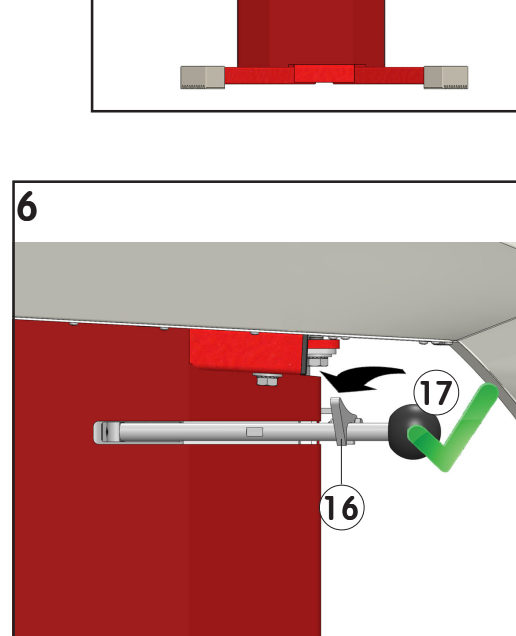
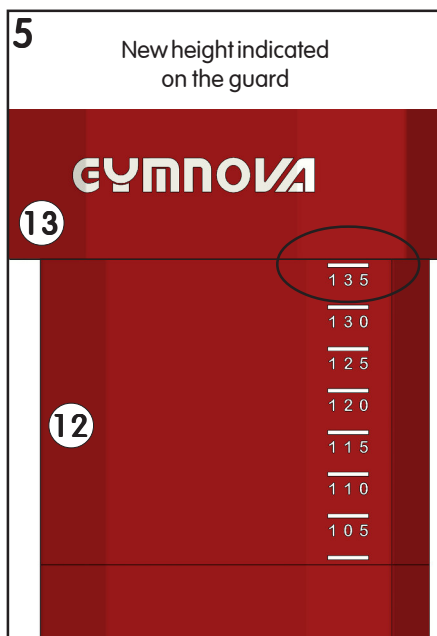
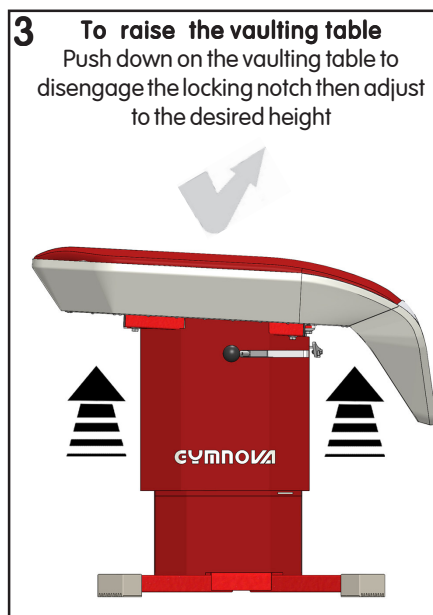
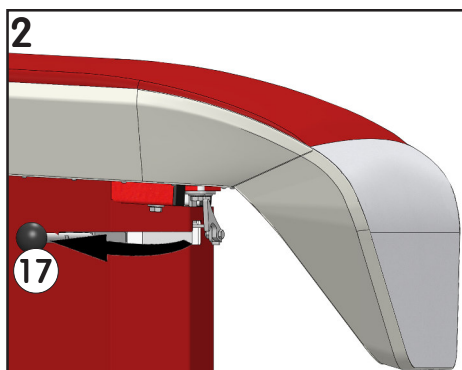
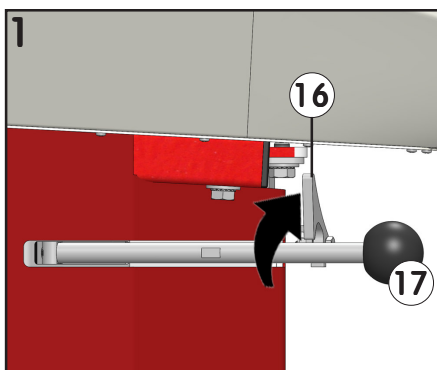
**4B** (Ref: 3401C with base mats)



**4C** (Réf.: 3403C)



**X. Adjusting the vaulting table height:**

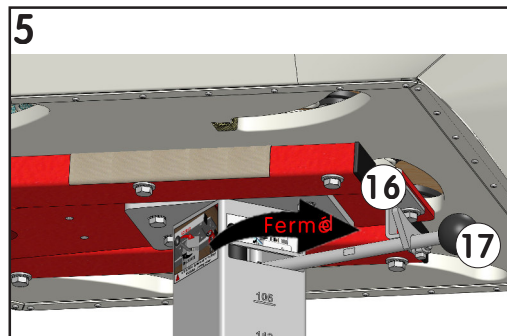
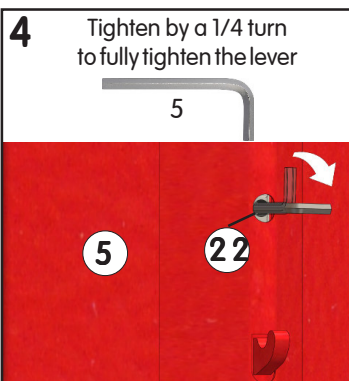
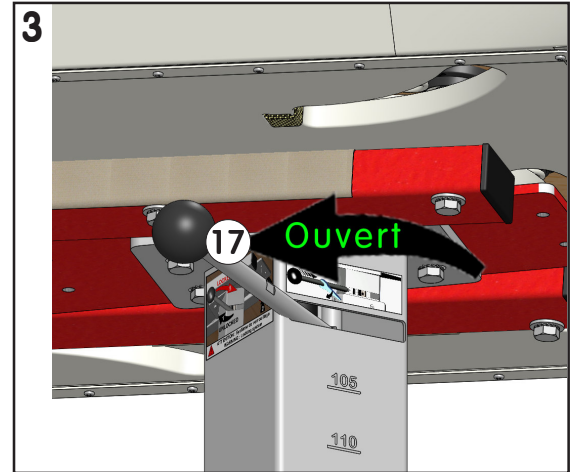
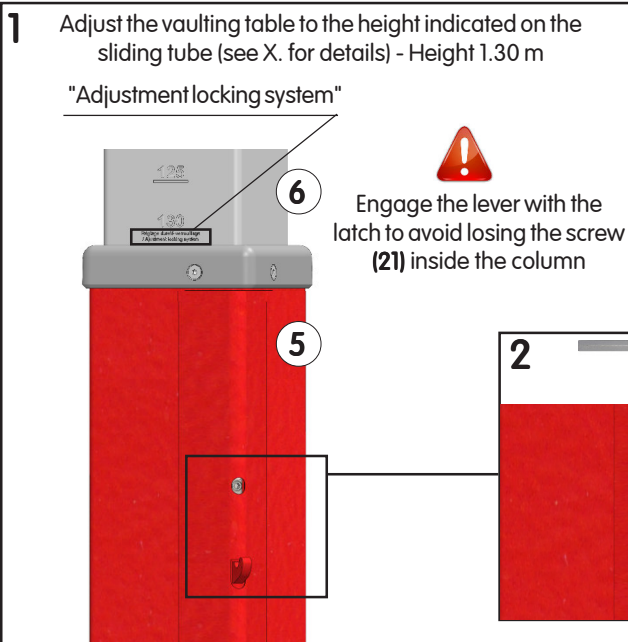


## XI. Storage

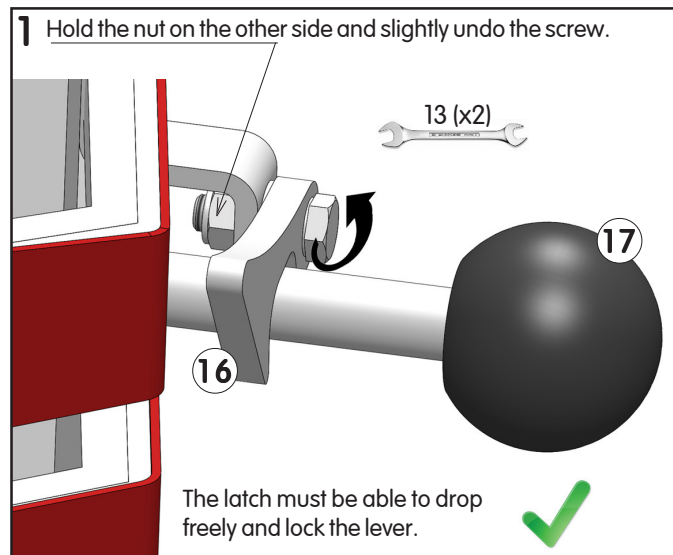
Do not place anything on top of the body: this may cause permanent damage to the dynamic structure (internal) and the curved top of the push-off zone (external).

## XII. Maintenance:

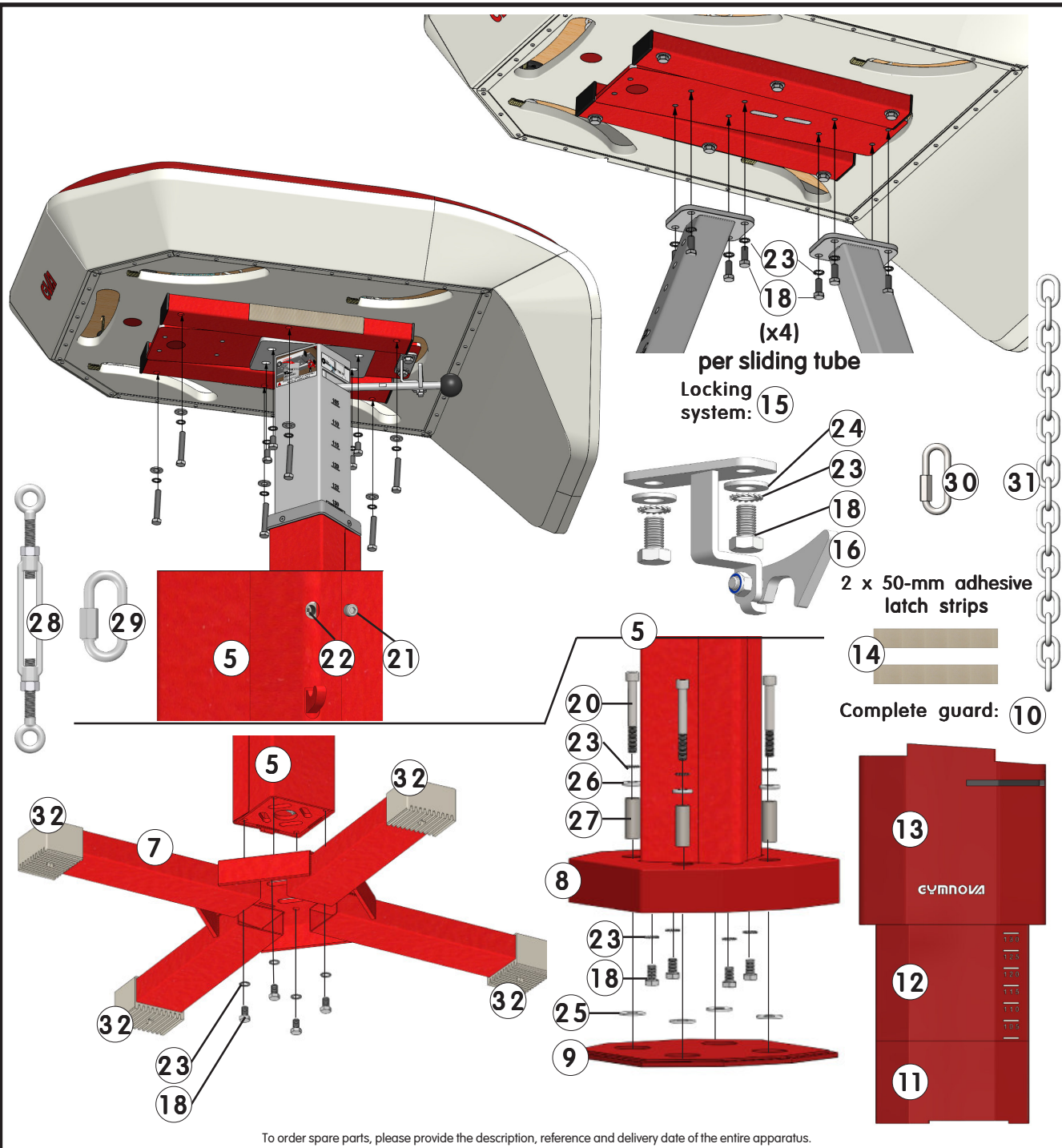
- 1/ Before each use, you are advised to check for correct tightening of all attachment elements and adjustment devices, and to check the condition of the pads, the lever and the guard elements.
- 2/ **Important:** after several weeks of intensive use, the lever may lock too easily and/or the body may move sideways. As a result, the lever may not provide optimum tightening. In this case the locking system must be adjusted: remove all the guard elements (10) and follow these instructions.



- 3/ Latch tightening:** the latch may be overtightened, preventing it dropping freely and locking the lever. In this case the latch tightening must be adjusted by following these instructions.







32	4	Apparatus pad + screw	3800/07	Spares package
31	1	Chain Dia. 7 - 30 links	QCHAC030D7	included in 2
30	3	Wide opening quick link No.8	QMRAG0008Z	included in 2
29	6	Quick link No.8	QMRA00008Z	included in 7
28	-	Turnbuckle	QTELE1012G	included in 7 & 2
27	4	Base spacer	-	included in 8
26	4	M12 x 28 flat washer thickness 4	-	included in 8
25	4	M14 x 36 flat washer	-	included in 8
24	8	M12 x 27 flat washer	-	included in 4 & 2
23	-	M12 x 20 external tooth lock washer	-	included in 8, 4 & 2
22	1	Adjustment screws	-	included in 4
21	1	M10 x 10 HSH screw self-locking	-	included in 4
20	4	M12 x 100 HSHC screw part threaded	-	included in 8
19	6	M12 x 70 HC screw part threaded	-	included in 2
18	-	M12 x 20 HC screw	-	included in 4 & 2
17	1	Locking lever	-	included in 4
16	1	Locking latch	-	included in 15
15	1	Locking system	-	included in 4
14	2	50-mm adh. latch strip	-	included in 10
13	1	Guard-upper	-	included in 10
12	1	Guard-middle	-	included in 10
11	1	Guard-lower	-	included in 10
10	1	VT complete guard M'17	3402A	-
9	1	Pit edge support panel	-	included in 8
8	1	Pit edge central leg base	3403/10	Spares package
7	1	Central leg base M'15	3401/50	Spares package
6	1	Central leg sliding tube only	-	included in 4
5	1	Central leg column only	-	included in 4
4	1	Central leg column + sliding tube M'16	3401/60	for 3404 & 3416
3	2	Standard leg uprights + sliding tubes	3450/40	both: 3450/50
2	1	VT body interface M'17	3454/20	package (with fixings)
1	1	VT covered body M'17	3454/00	Spares package
ITEM	QTY	DESCRIPTION	REFS.	REMARKS

**GYMNOVA**  
 RUE GASTON DE FLOTTE  
 13012 MARSEILLE  
 Tél. : 33-(0)-4-91-87-51-20  
 Fax : 33-(0)-4-91-93-86-89

**FIXED VAULTING TABLES M'17**

PAR: M. CHARBONNEAU | LE : 09/05/17 | NM264B-GB | Refs: 3401C - 3402A - 3403C - 3404A - 3416A - 3454 - 3455

THIS DOCUMENT IS THE PROPERTY OF GYMNOVA, IT IS CONFIDENTIAL AND SHALL NOT BE REPRODUCED WITHOUT PRIOR AUTHORIZATION

To order spare parts, please provide the description, reference and delivery date of the entire apparatus.