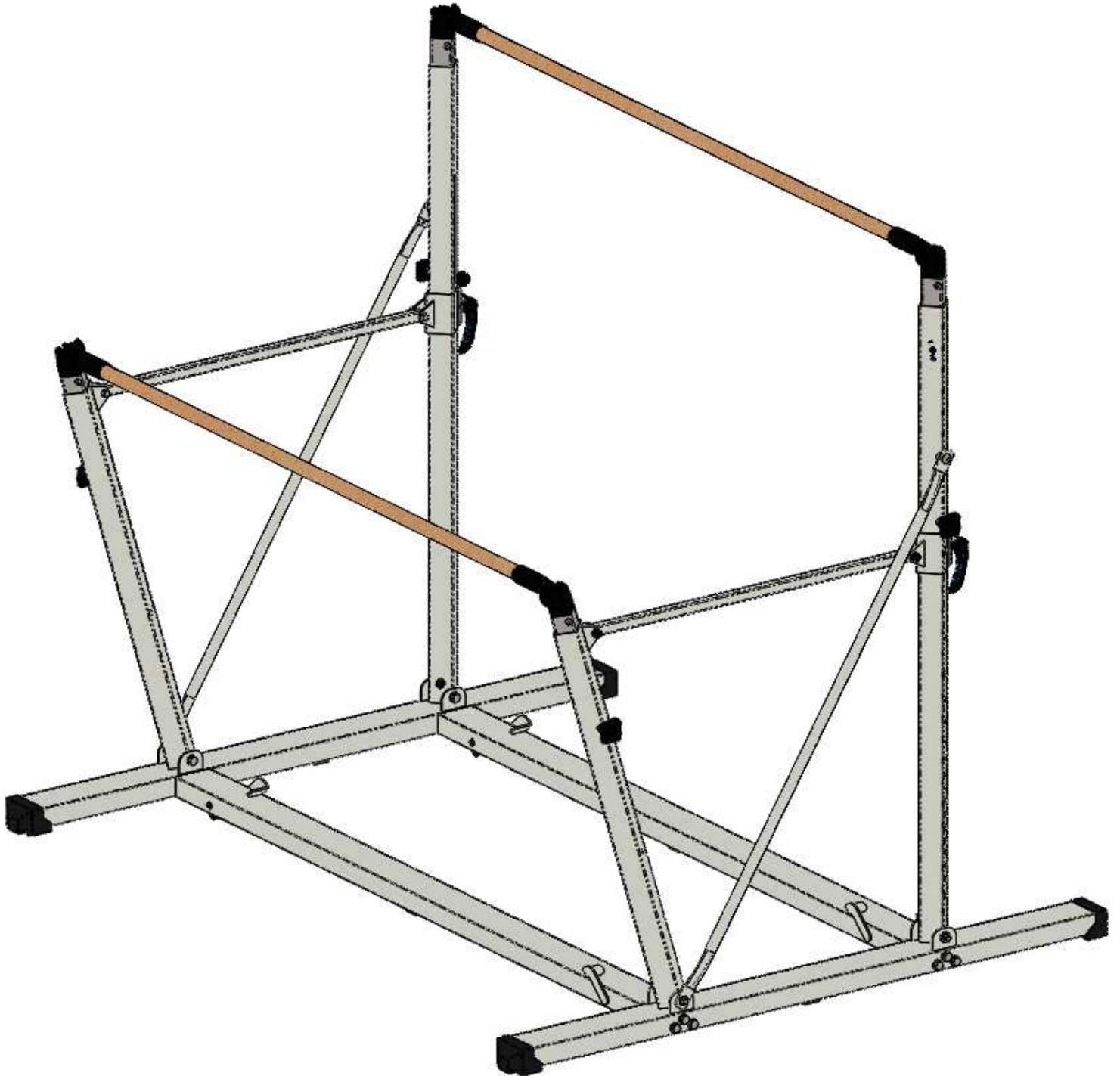


PE ASYMMETRIC BARS

Ref. : 670

(UK) Assembly Instructions



Thank you for buying this product O'jump. We advise you to read the assembly instructions carefully. The apparatus is presented in pre-assembled parts for a simplified assembly. We have designed this O'jump product to bring you complete satisfaction. If you need help, the O'jump team is at your disposal to accompany you.

 +33 (0)4 91 87 51 20
 +33 (0)4 91 93 86 89
 info@ojump.com

www.ojump.com



Warning:

This equipment must only be used by one person at a time and under the supervision of a qualified individual, with appropriate landing mats.

Using this equipment for purposes other than those originally intended is prohibited.



Recommendations:

- keep these instructions for subsequent reference (inspection, maintenance, etc.).
- periodically carry out predictive maintenance.
- depending on how much it is used, have the equipment serviced yearly or every few years.

Footprint and weight:

- Apparatus: 2.52 x 2.04 m 184 Kg



Tools needed to assemble the apparatus.



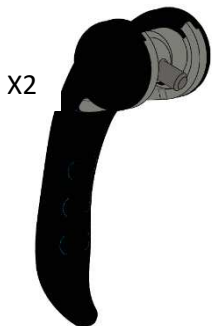
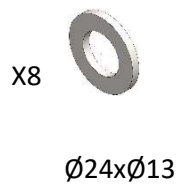
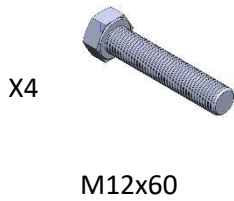
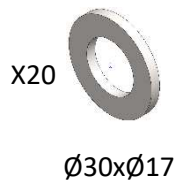
Hex wrench
N°18/19/24



Allen wrench
N°10.



Hardware listing (pre-assembled)



Elephant handle



Indexing knob



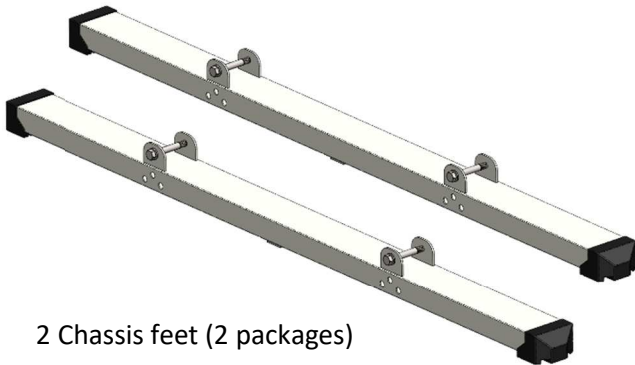
Sliding handle



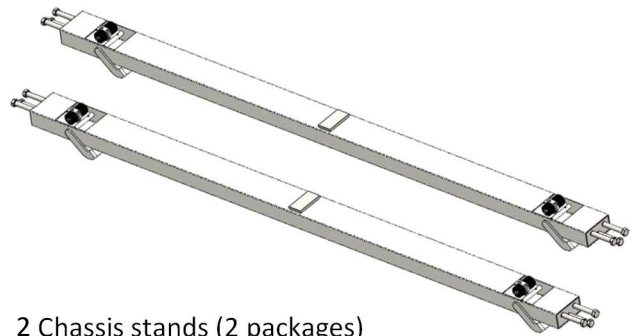
Indexing pin



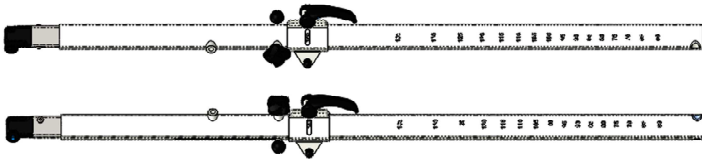
List of parts (pre-assembled)



2 Chassis feet (2 packages)



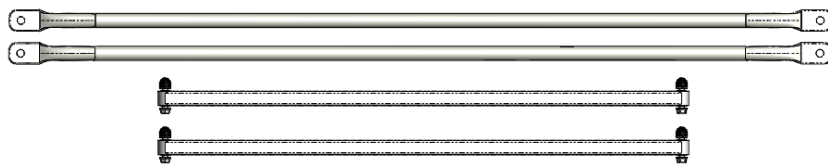
2 Chassis stands (2 packages)



1 Upper upright L&R (2 packages)



1 Pair Lower uprights (1 package)



1 Pair of Braces + 1 Pair of Spreader (1 package)

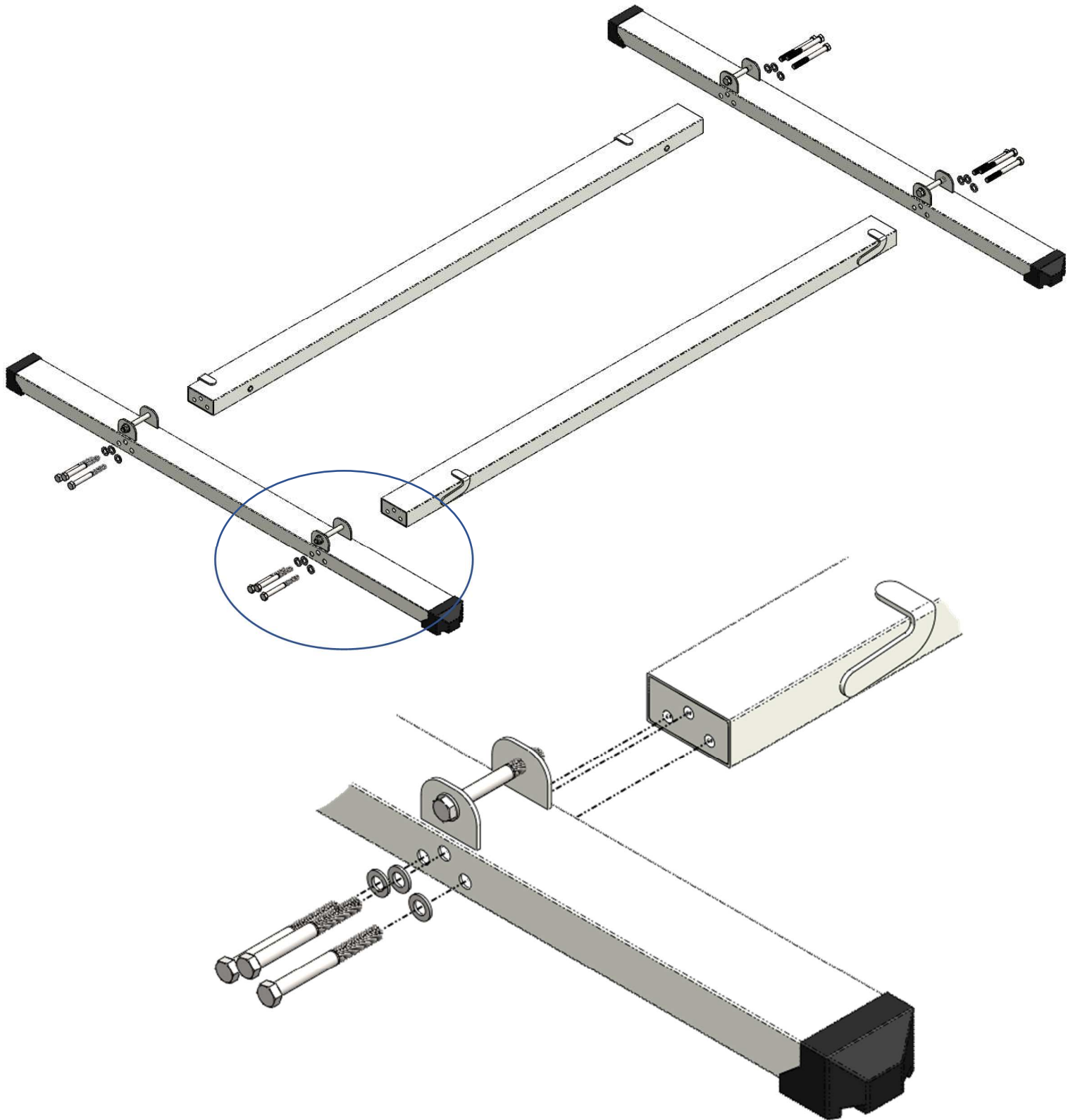


2 Wooden hand-rails $\varnothing 40$ (2 packages)



Hex wrench N° 24

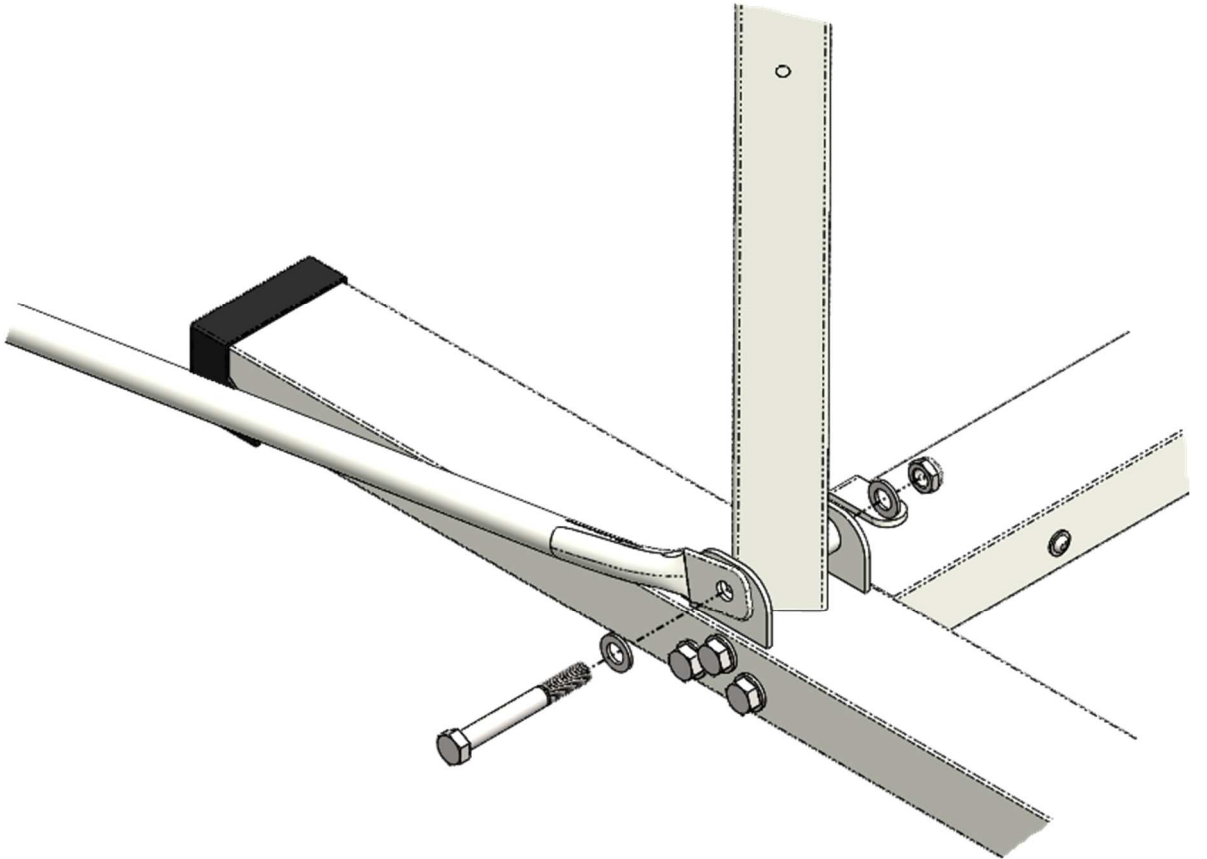
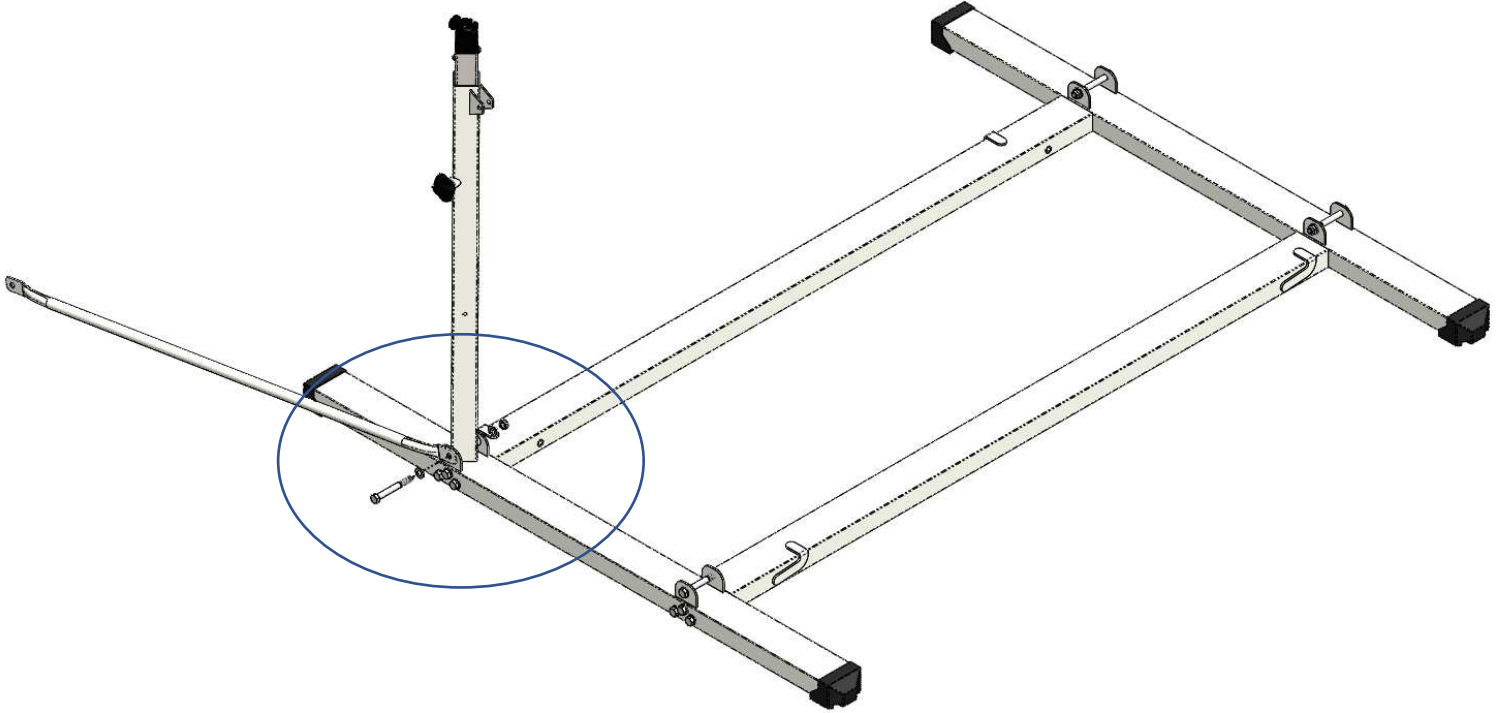
Chassis base





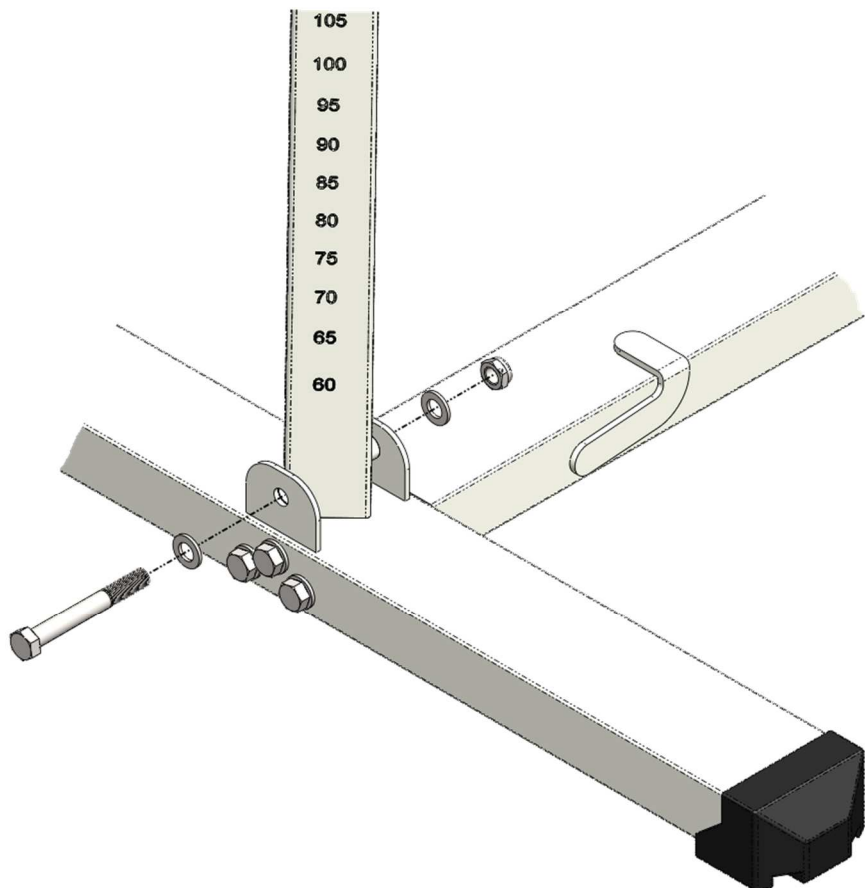
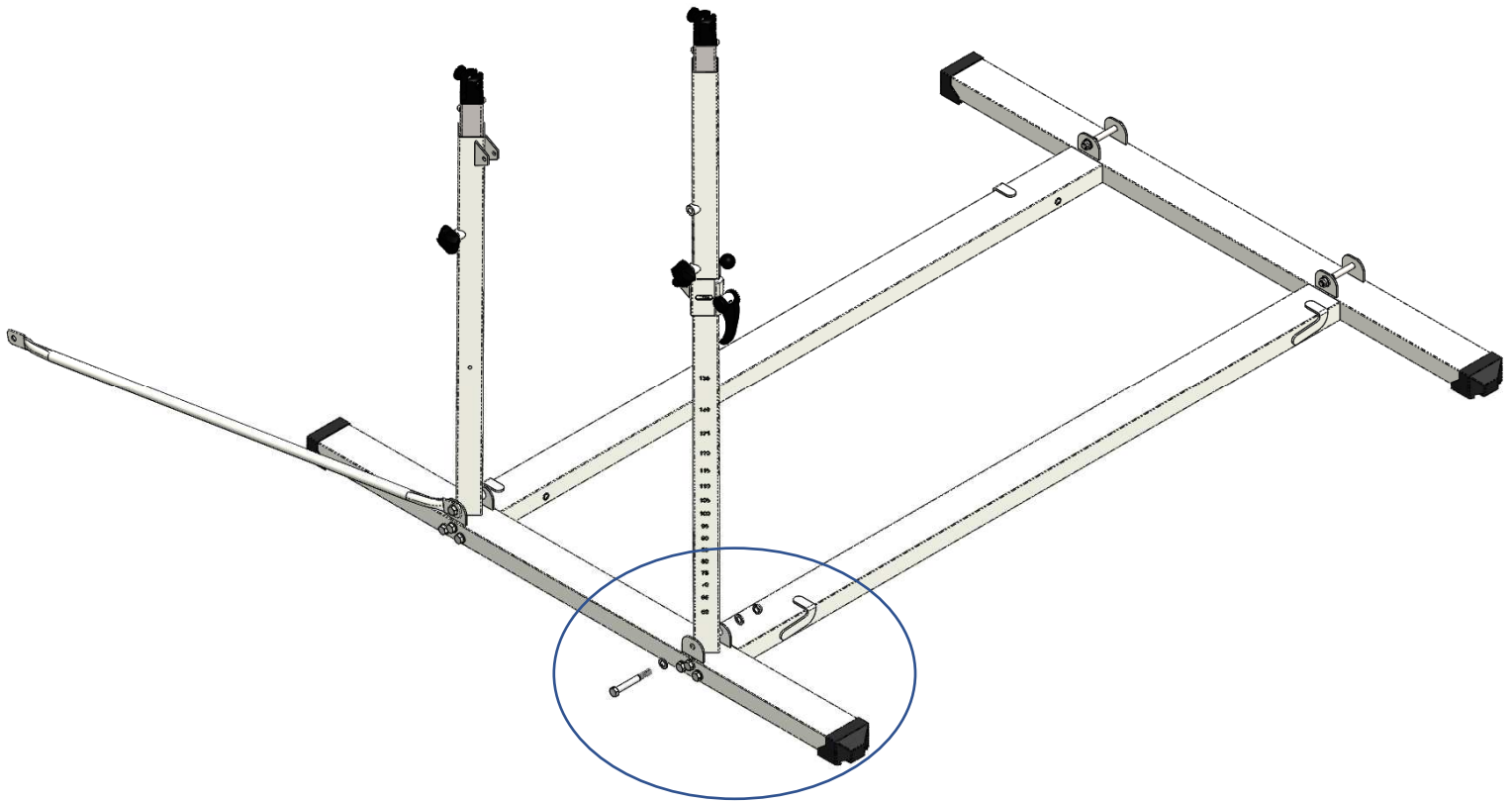
Hex wrench N° 24

Lower upright & Brace





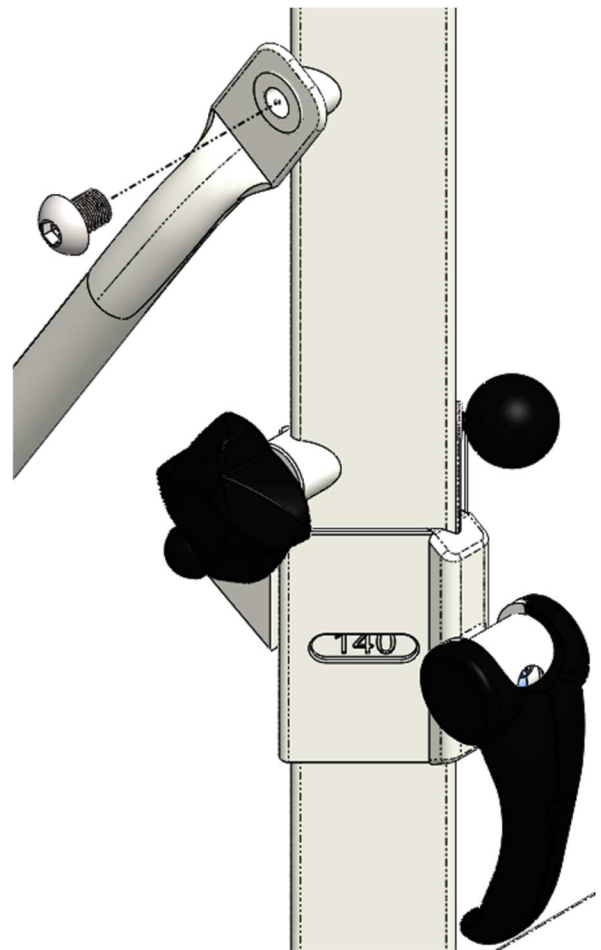
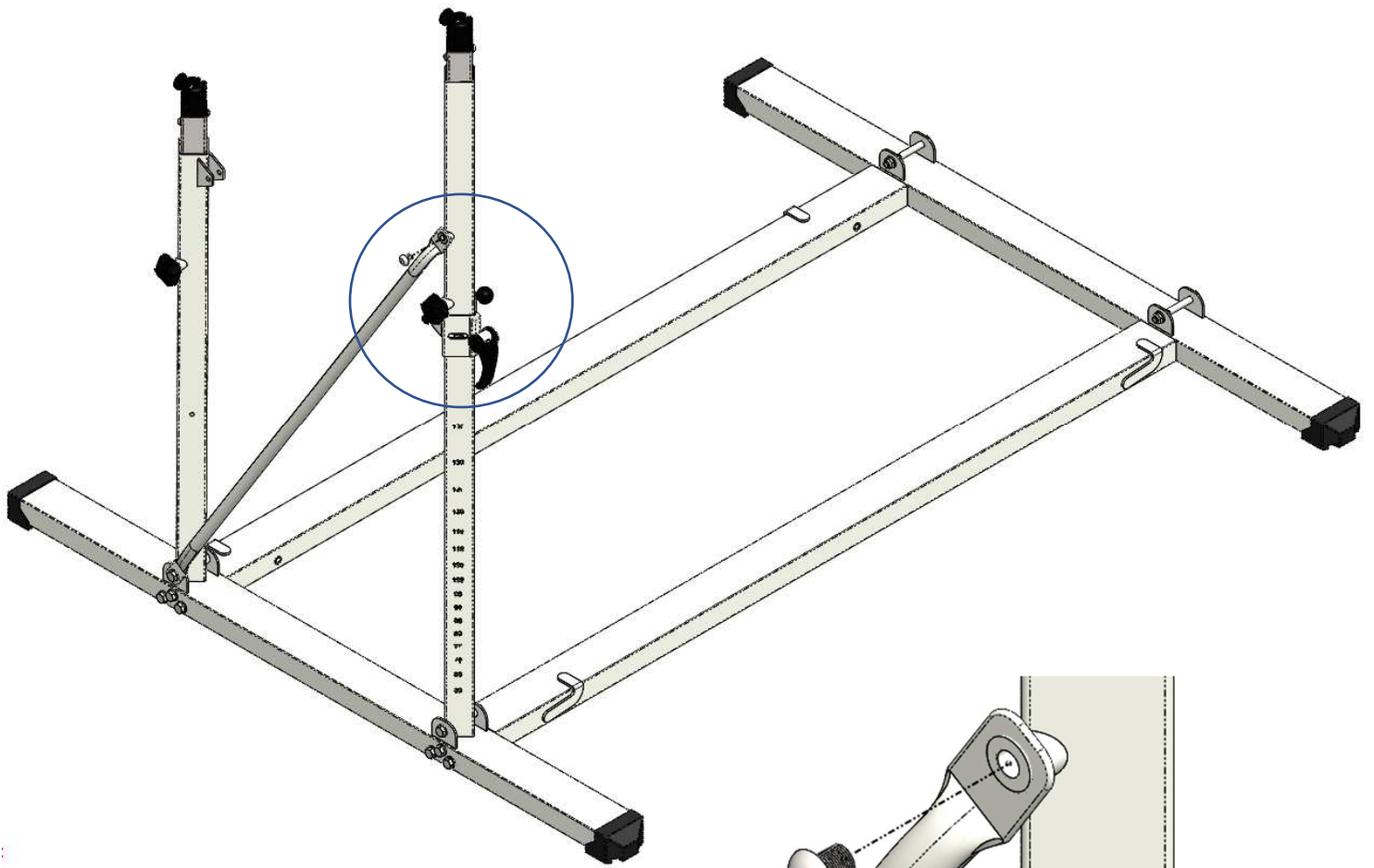
Upper upright & Brace





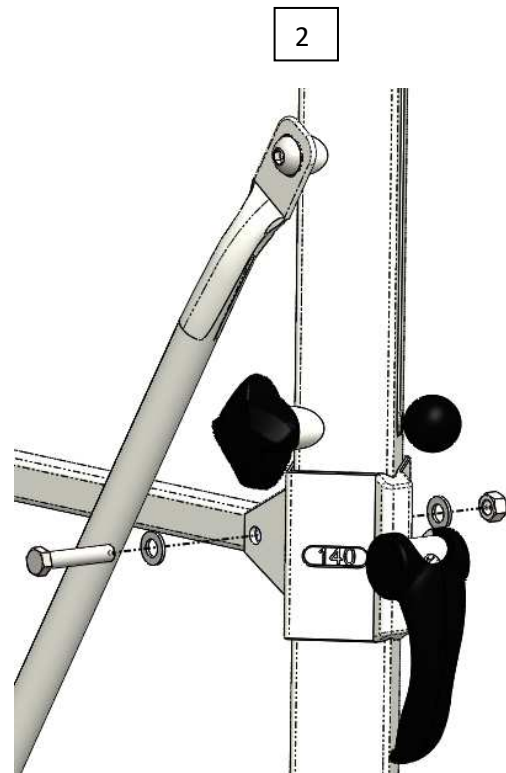
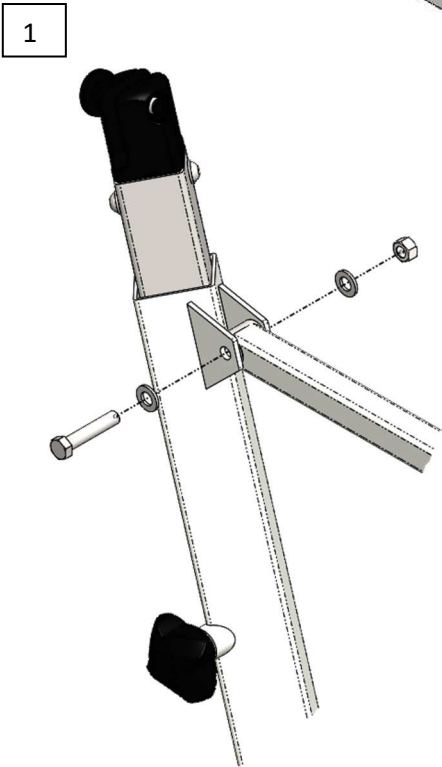
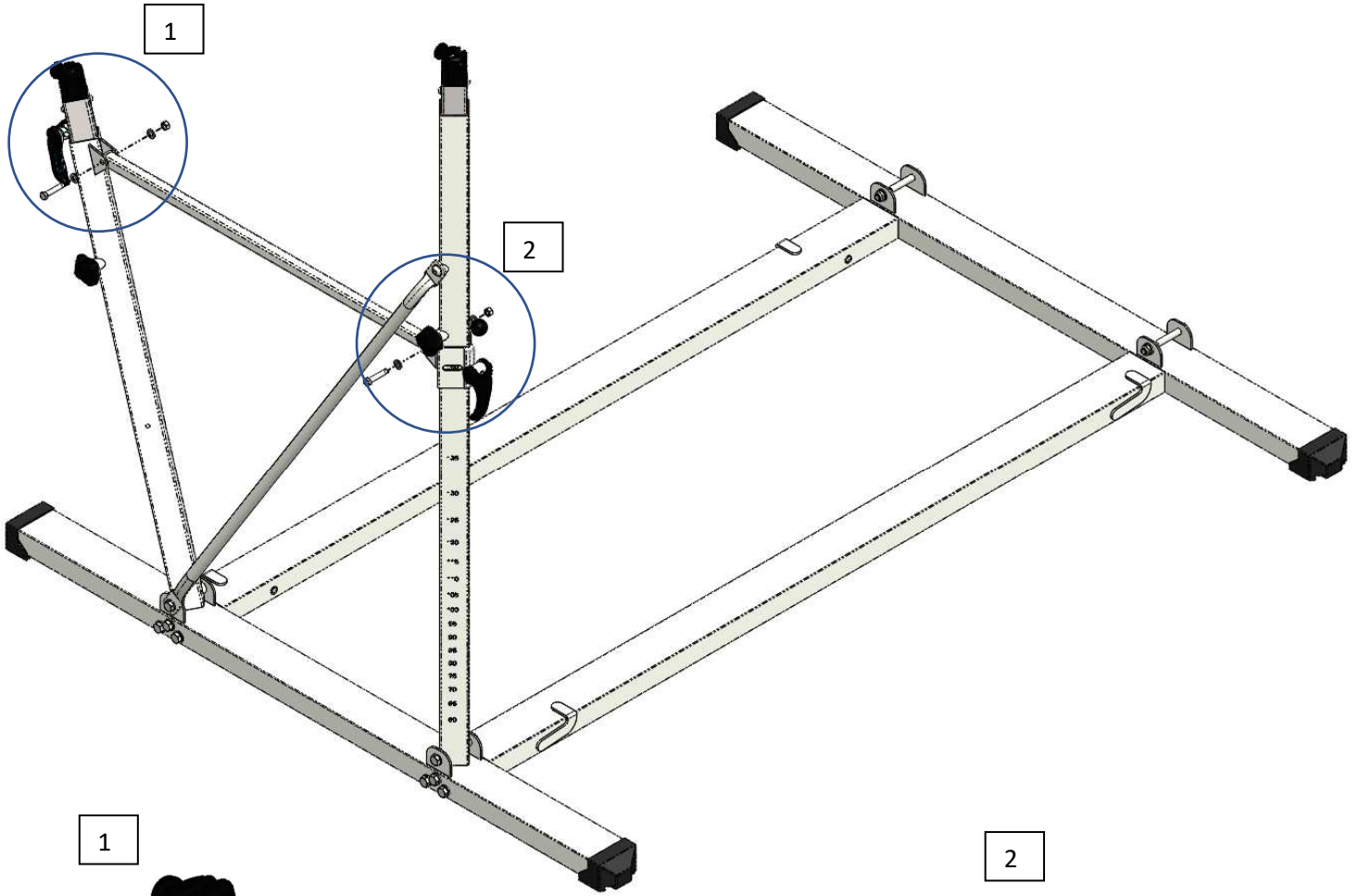
Allen wrench N°10,

Upper upright & Brace



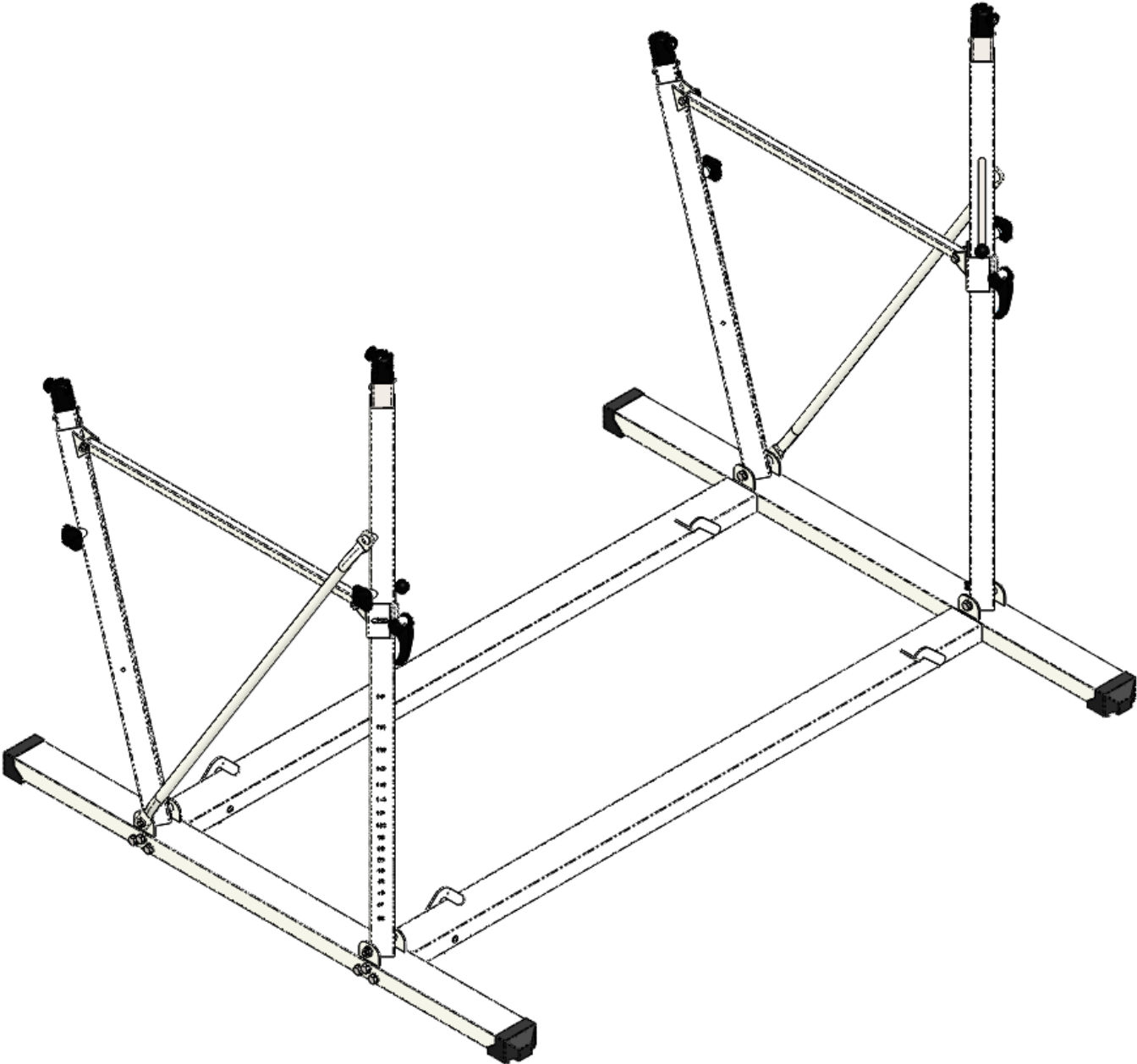


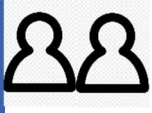
Spreader



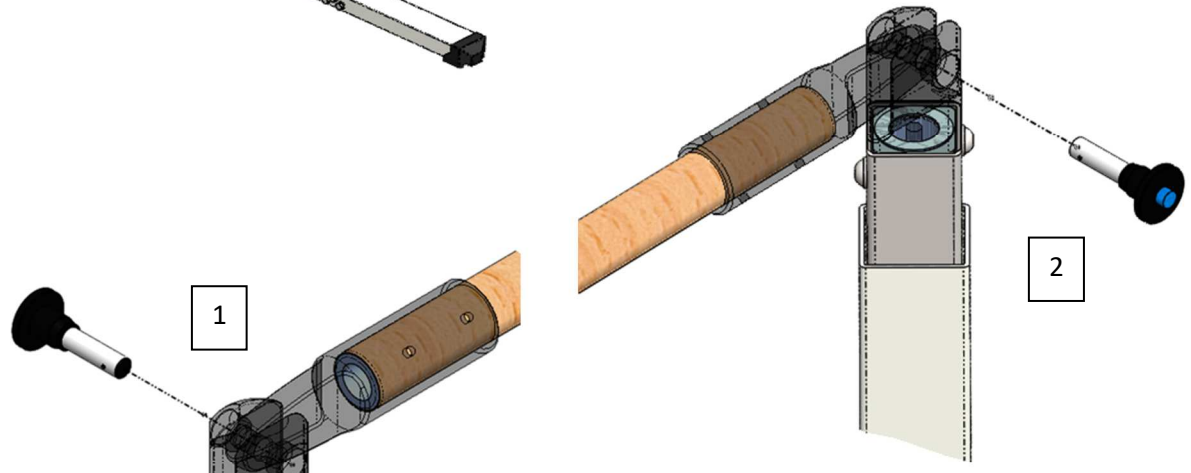
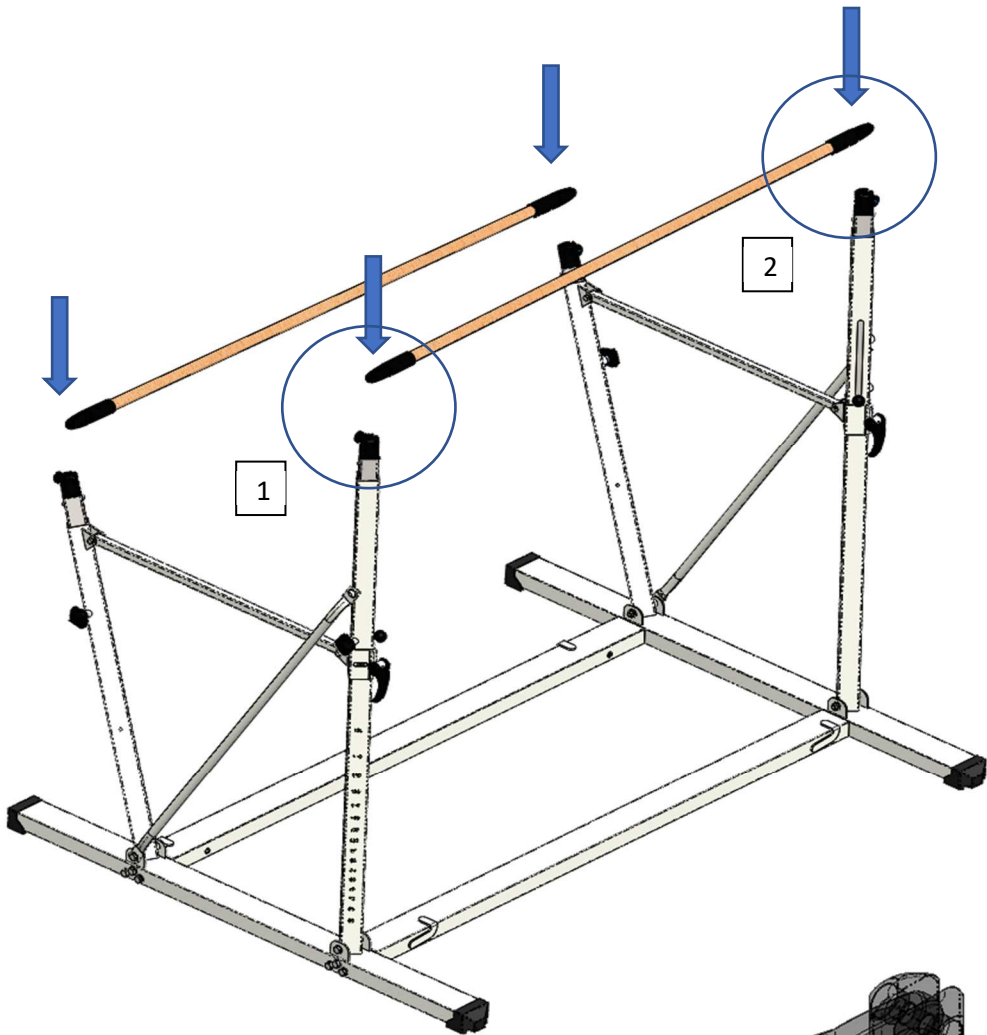


Repeat the operations on pages 6,7,8,9 for the opposite side



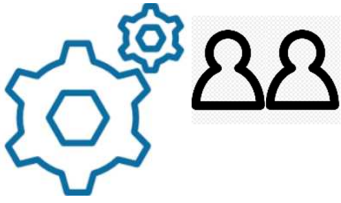


Hand-rails



To insert the indexing pin, press the blue button to release the ball.

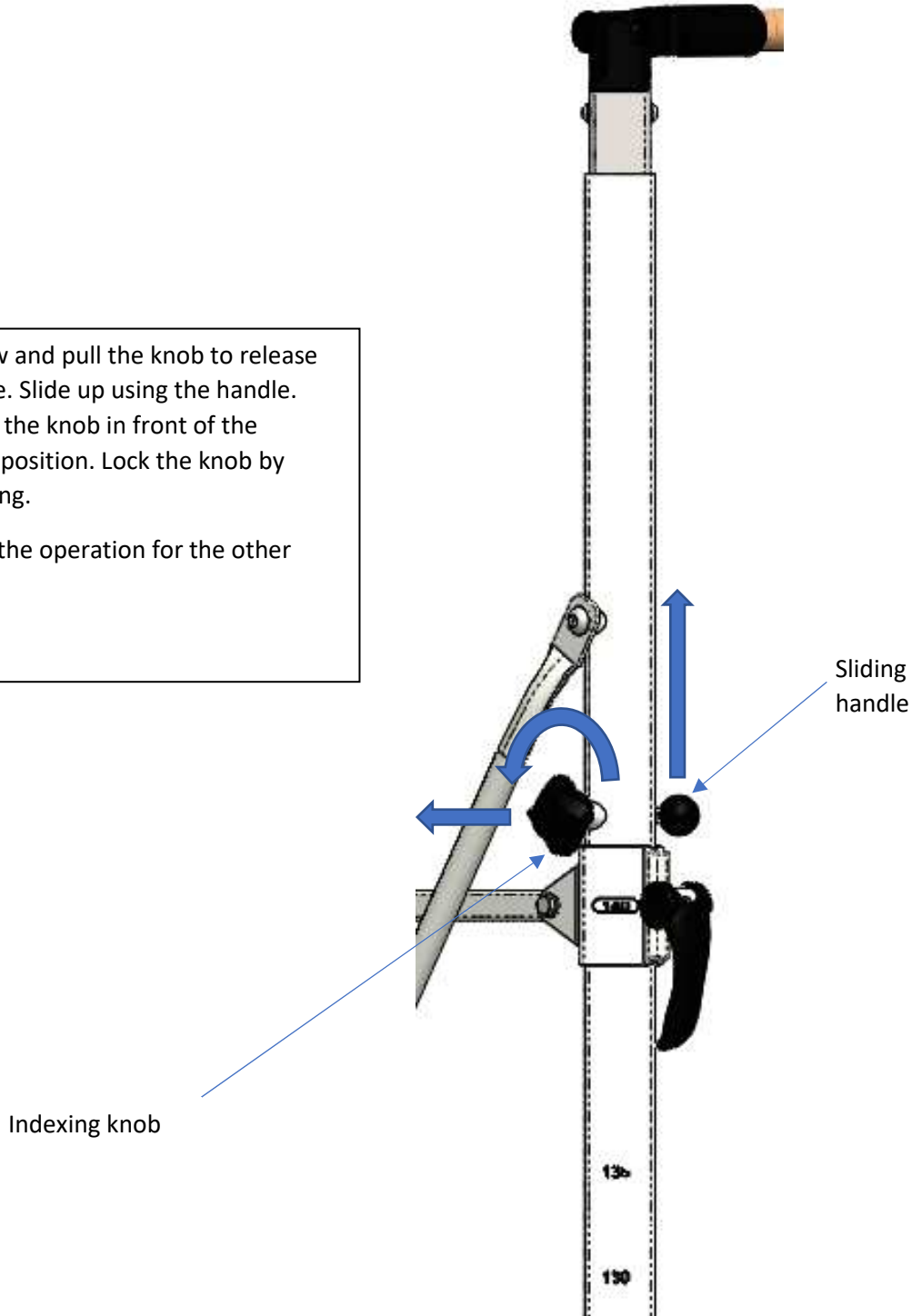




Height adjustment

Unscrew and pull the knob to release the slide. Slide up using the handle. Release the knob in front of the desired position. Lock the knob by tightening.

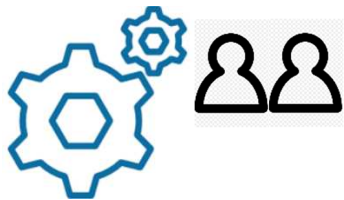
Repeat the operation for the other upright.



Warning:

Safety is always the main consideration when setting up an apparatus.

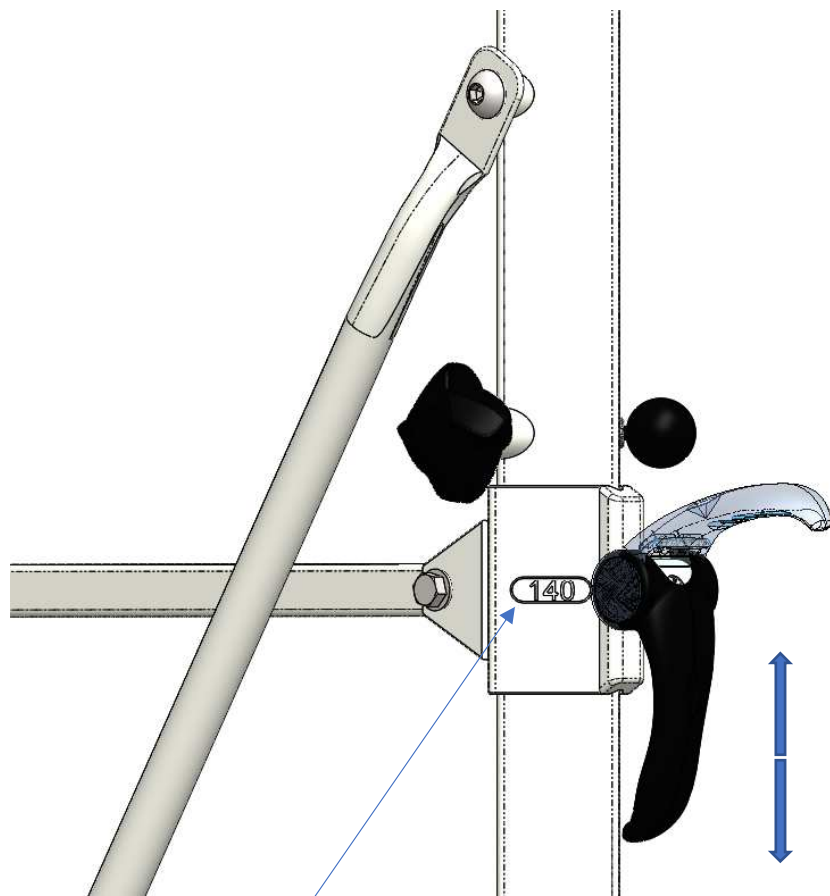
- It is important to always have a good understanding of the task.
- Use common sense.
- . Always hold the Sliding Handle with one hand when unscrewing the knobs
- . Risk of injury from sudden fall of the slide.



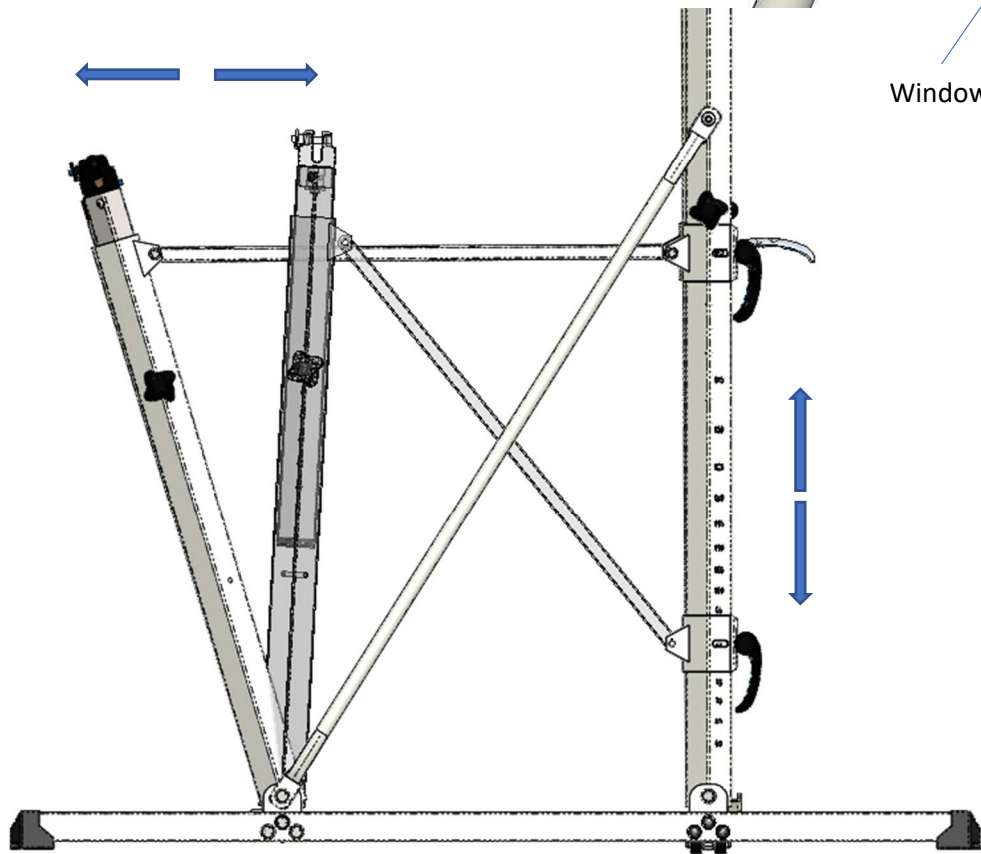
Spacing adjustment

Lift the elephant handle up to release the spreader. Slide up or down using the handle. Put the window in front of the desired position. Pull down the elephant handle.

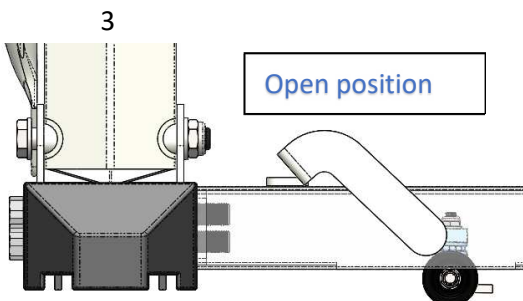
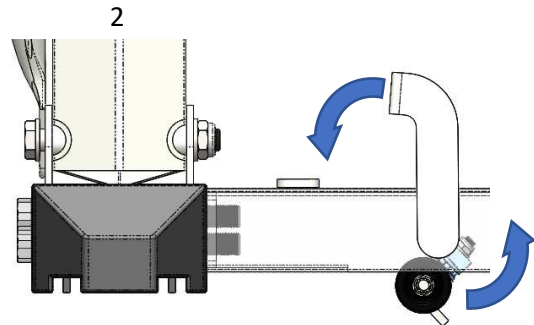
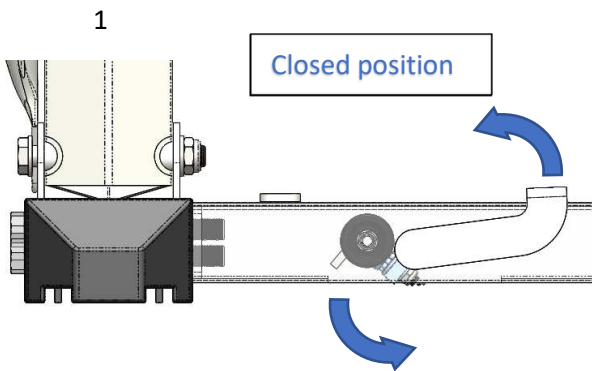
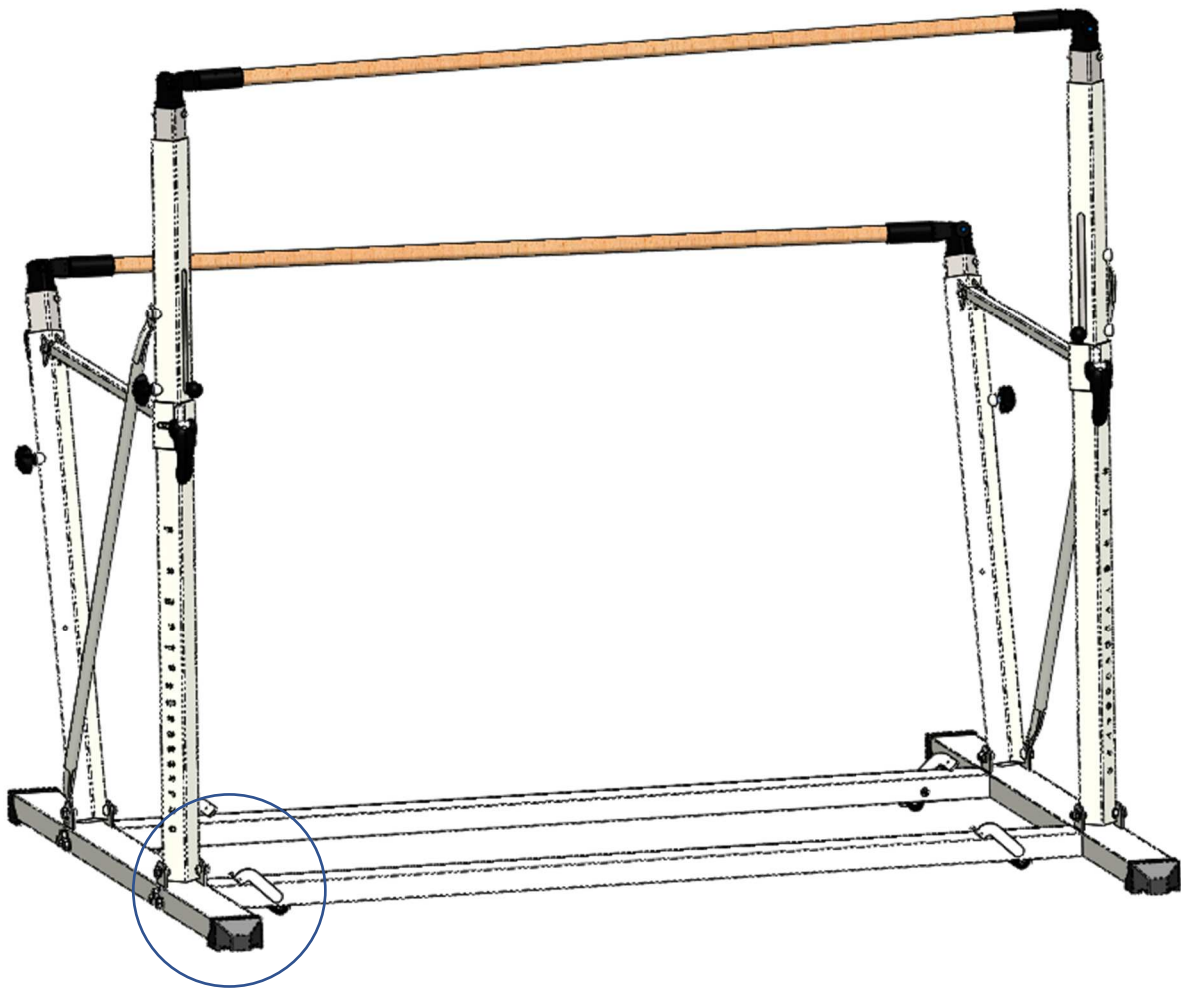
Repeat the operation for the other spreader.



Window



Moving the apparatus



Warning:

Safety is always the primary consideration when moving an apparatus.

- It is important to always have a good understanding of the task.
- Use common sense.
- Always keep your feet out of reach of the apparatus
- Risk of jamming if the rollers are suddenly closed.