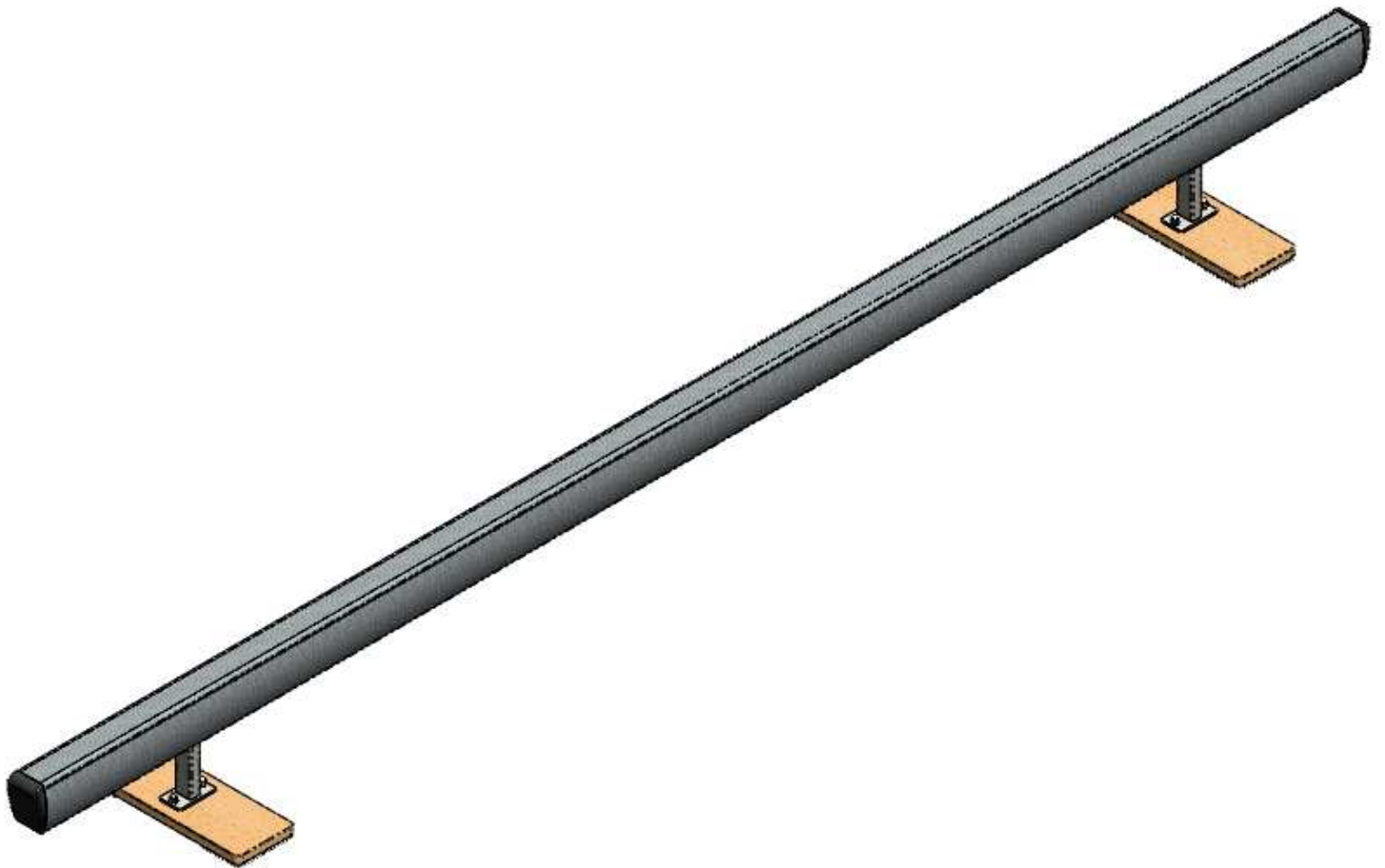


# LOW BEAM 3 & 5m

Réf : 681 & 682

## (UK) Assembly Instructions



Thank you for buying this product O'jump. We advise you to read the assembly instructions carefully. The apparatus is presented in pre-assembled parts for a simplified assembly. We have designed this O'jump product to bring you complete satisfaction. If you need help, the O'jump team is at your disposal to accompany you.

 +33 (0)4 91 87 51 20  
 +33 (0)4 91 93 86 89  
 info@ojump.com

[www.ojump.com](http://www.ojump.com)

### Warning:



This equipment must only be used by one person at a time and under the supervision of a qualified individual, with appropriate landing mats.

Using this equipment for purposes other than those originally intended is prohibited.

### Recommendations:

- keep these instructions for subsequent reference (inspection, maintenance, etc.).
- periodically carry out predictive maintenance.
- depending on how much it is used, have the equipment serviced yearly or every few years.

### Footprint and weight:

-Apparatus :

Réf : 681. 300 x 60 x 39cm (Lxlxh) 47Kg

Réf : 682. 500 x 60 x 39cm (Lxlxh) 72Kg



Tools needed to assemble the apparatus.



Hex wrench N°18/19



Hardware listing (pre-assembled)

A



X4

M12 x 45

B



X4

Ø24x13

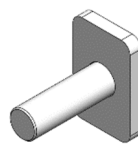
C



X4

M12

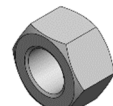
D



X4

M12 x 35

E



X4

M12

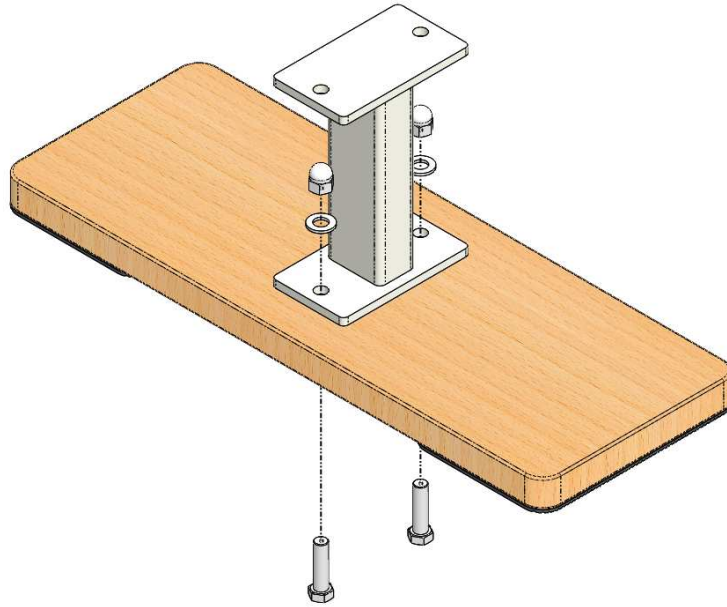
F



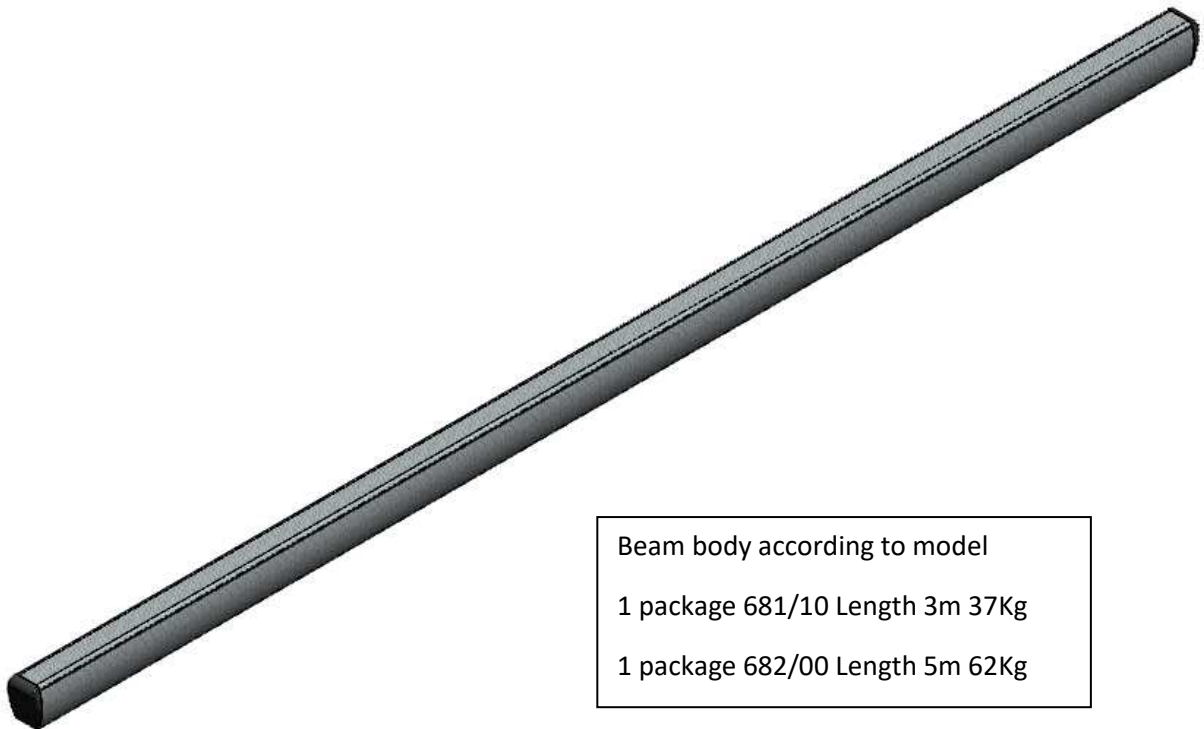
X4



## List of parts (pre-assembled)



1 Package 681/00 Pair of legs and feet Weight 10Kg



Beam body according to model

1 package 681/10 Length 3m 37Kg

1 package 682/00 Length 5m 62Kg



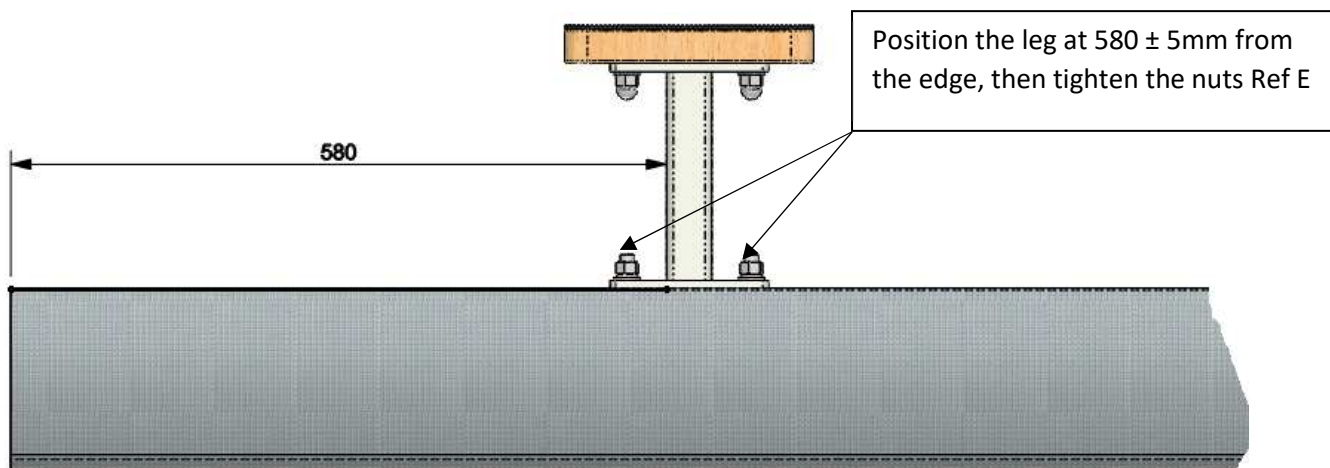
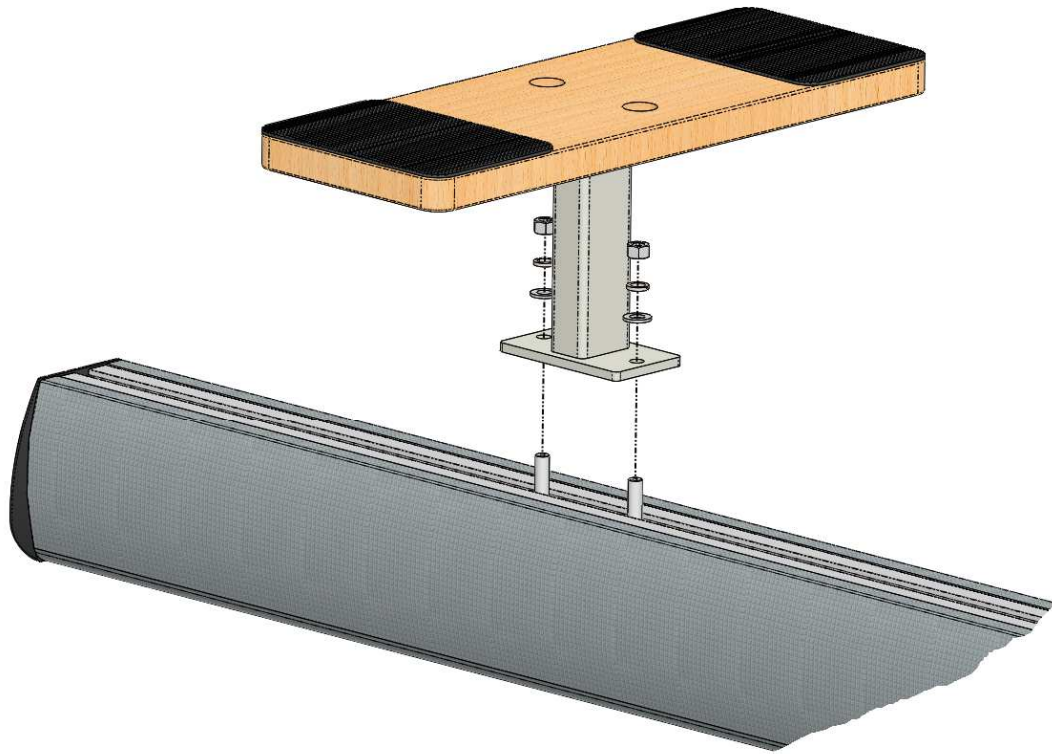
MONTAGE



Hex wrench N°18/19

## Assembling 1<sup>st</sup> Leg

Put the beam body upside down on the floor and put in place the leg





Hex wrench N°18/19

## Assembling 2<sup>nd</sup> Leg

1) Repeat the operation on page 5

